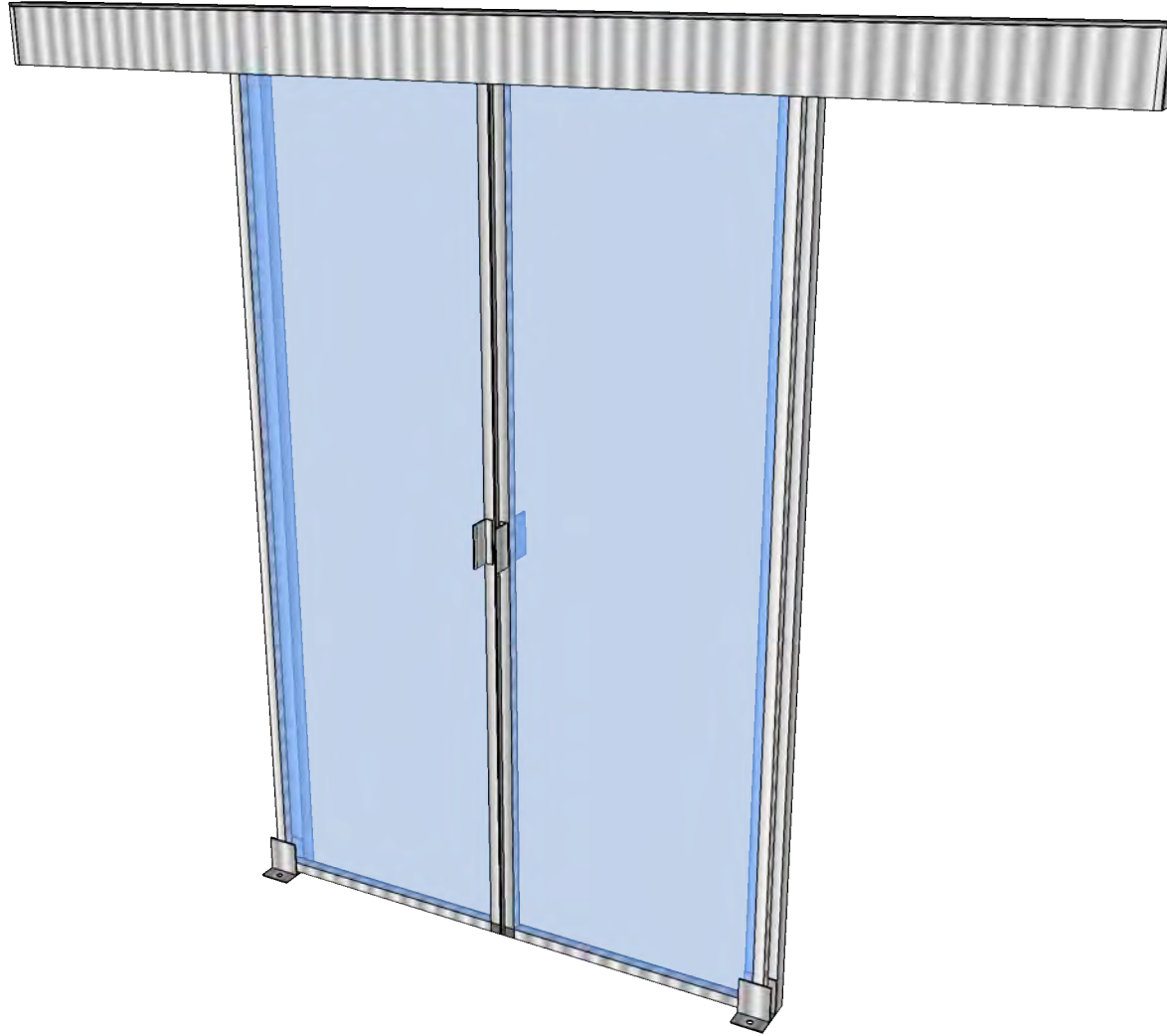


PX Dual Sliding Doors, Installation Guide

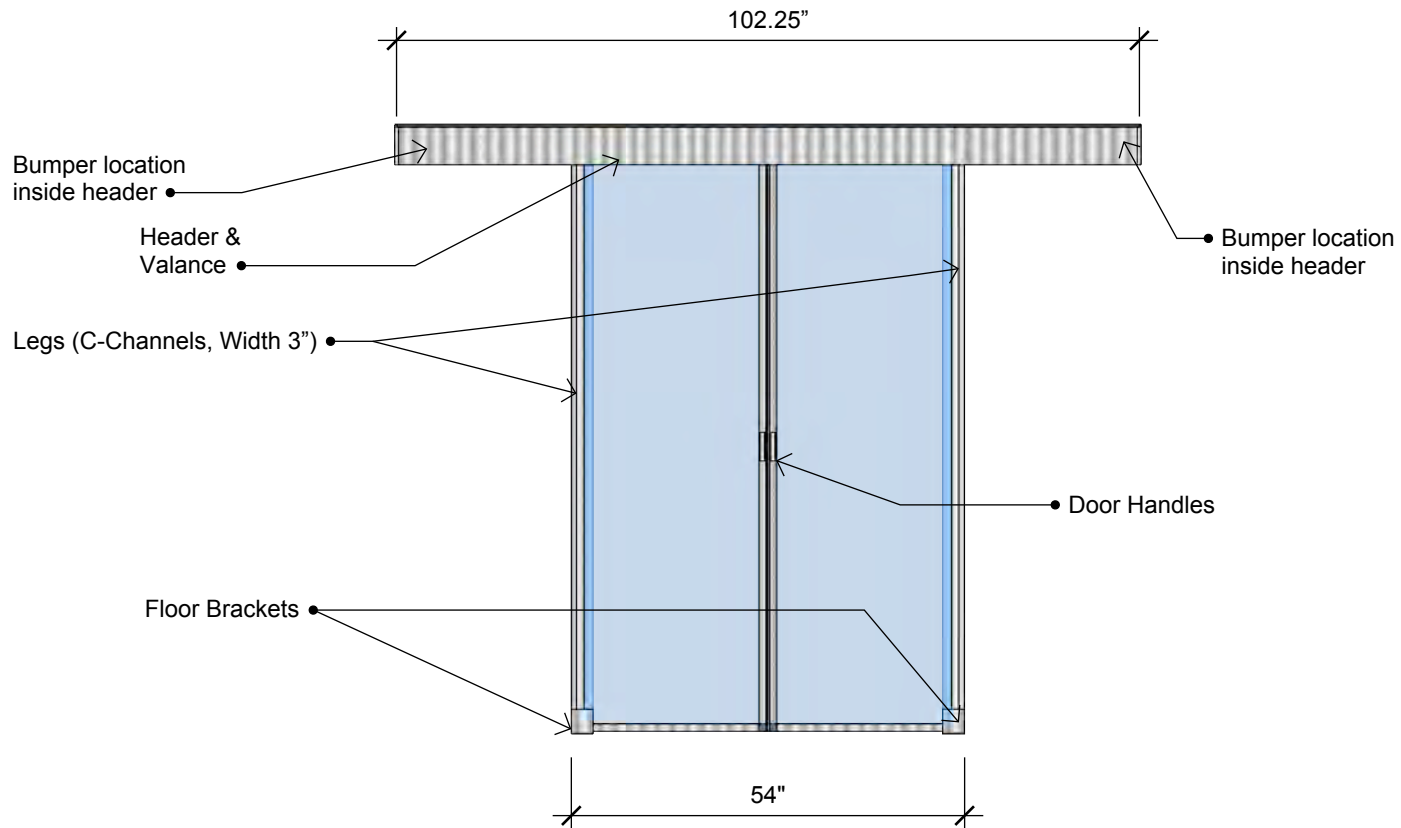


PRODUCT NAME
**PX Dual Sliding Door
Installation Guide
Rev A1**

CREATED
May 31, 2016
MODIFIED
August 9,

POLARGY, INC.
256 Gibraltar Drive, Suite 106
Sunnyvale, CA 94089





POLARGY

PRODUCT NAME
**PX Dual Sliding Door
 Installation Guide
 Rev A1**

CREATED
 May 31, 2016

MODIFIED
 August 9,

POLARGY, INC.
 256 Gibraltar Drive, Suite 106
 Sunnyvale, CA 94089

PX

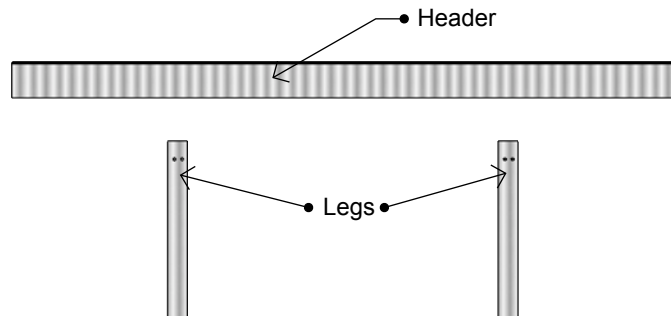
02

Installation Instructions:

- Step #1 Attach legs to valance header with hardware provided.
- Step #2 Bring door frame to the vertical position with temporary/supplemental support
- Step #3 Create temporary anchoring to the racks. Ensure door frame is leveled.
- Step #4 Install doors w/o handles. Ensure doors slide freely.
- Step #5 Attach floor brackets. Make sure doors slide freely through floor brackets.
- Step #6 Attach header to the racks using L-brackets provided.
- Step #7 Install front and back handles on each door.
- Step #8 Install bumpers on the headers.
- Step #9 Install end-caps.
- Step #10 Check to make sure there is no gap where doors meet. Adjust if necessary.

Note: Valance is removable if adjustments to the door are necessary after installation.

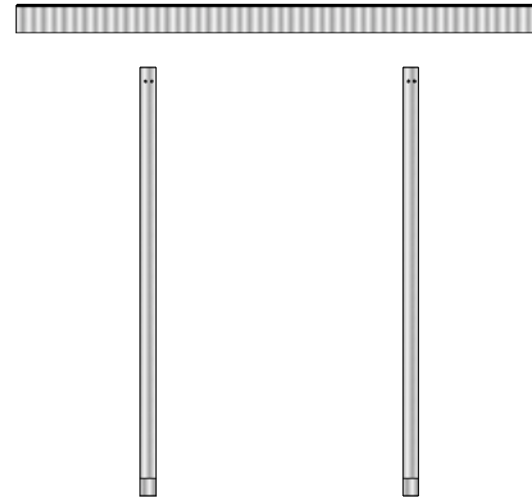
Step #1 Attach each leg to the header with two 1/4"-20 hex bolts.



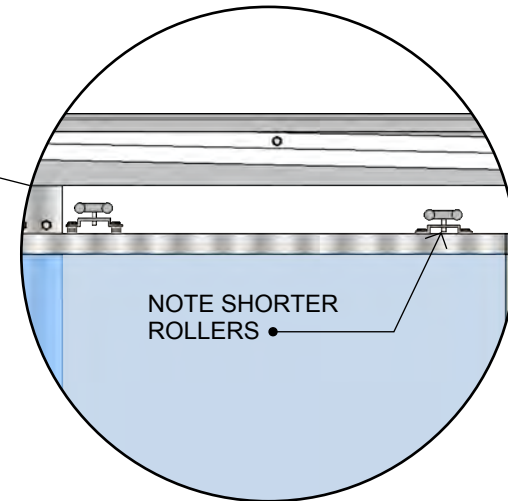
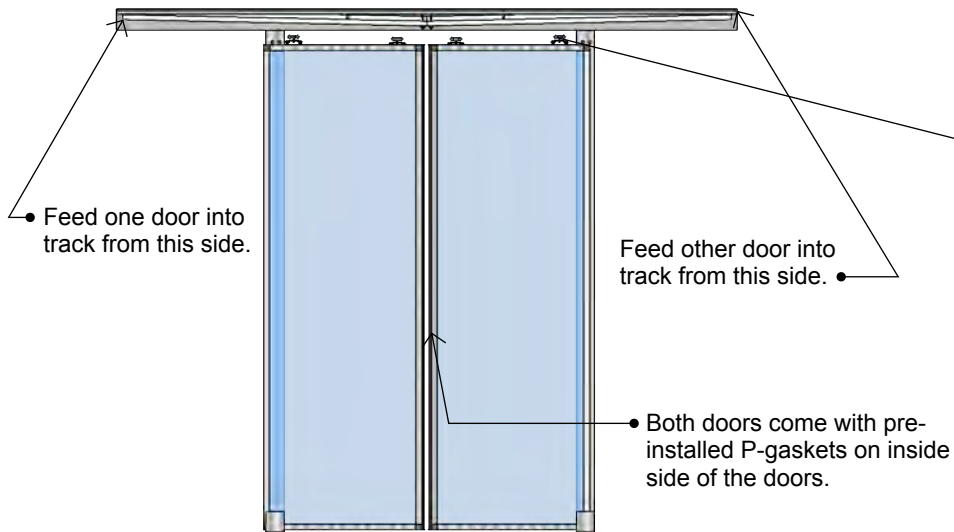
Step #2 Bring frame to the vertical position with temporary/ supplemental support.

Step #3 Create temporary anchoring to the racks. Ensure structure is leveled.

Note: Temporary and or supplemental methods are not shown.



Step #4 Slide doors into the track from sides of header. Make sure lower height rollers slide in first. Do not install handles yet.



POLARGY

PRODUCT NAME
**PX Dual Sliding Door
Installation Guide
Rev A1**

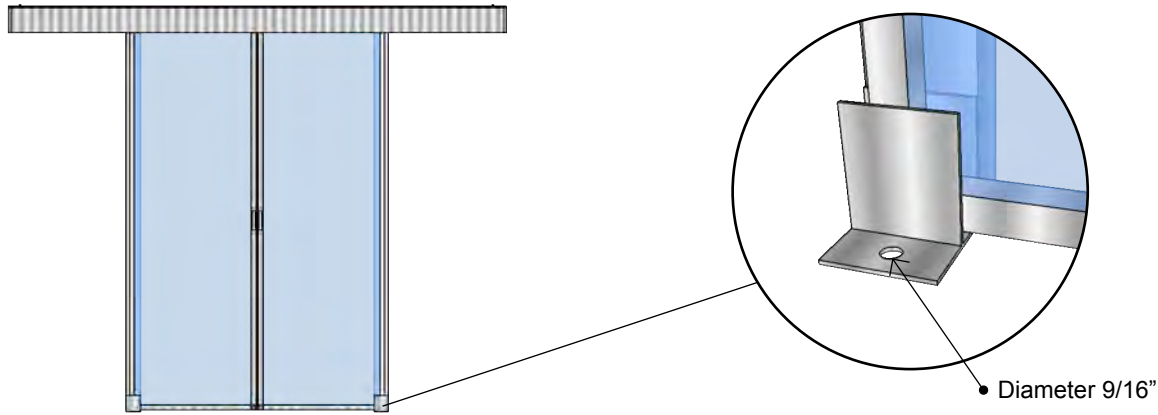
CREATED
May 31, 2016
MODIFIED
August 9,

POLARGY, INC.
256 Gibraltar Drive, Suite 106
Sunnyvale, CA 94089

PX

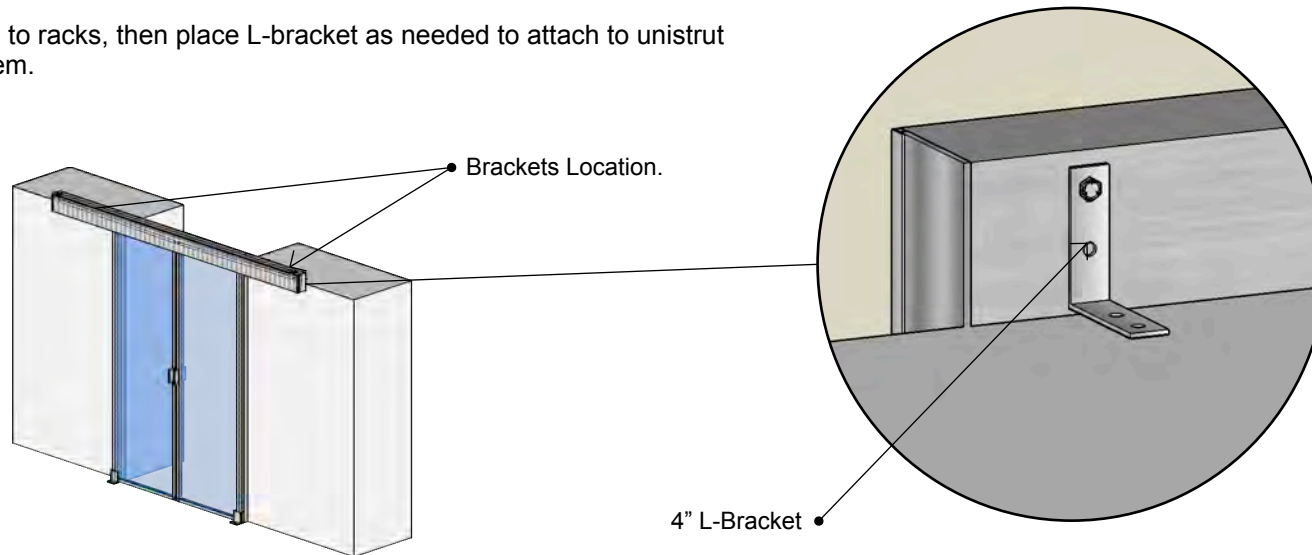
03

Step #5 The floor brackets, which come attached to the legs, need to be fastened to the floor. Note: Ensure doors slide freely through brackets. Adjust legs forward or backward as needed to allow smooth sliding.



Step #6 Attach header to the racks using L-brackets provided. A hole needs to be drilled in the desired location on the back of the header for the L-bracket. It is recommended to place the L-bracket no more than 12" from the outside edge of the header.

Note: If not attaching to racks, then place L-bracket as needed to attach to unistrut or other support system.



PRODUCT NAME
**PX Dual Sliding Door
Installation Guide
Rev A1**

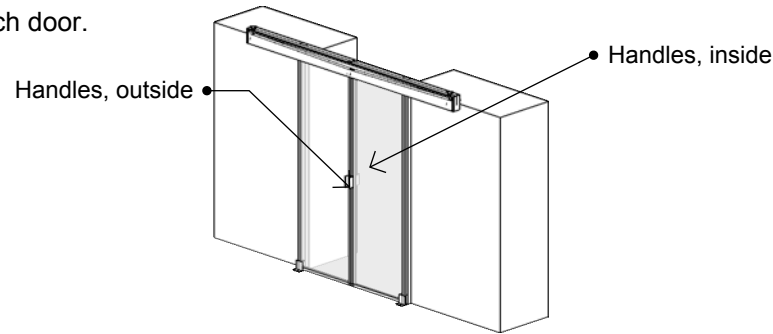
CREATED
May 31, 2016
MODIFIED
August 9,

POLARGY, INC.
256 Gibraltar Drive, Suite 106
Sunnyvale, CA 94089

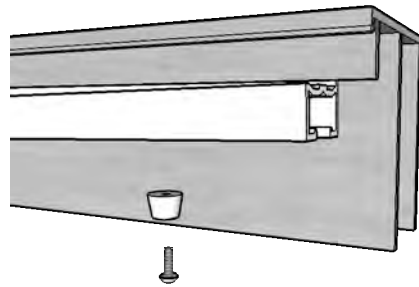
PX

04

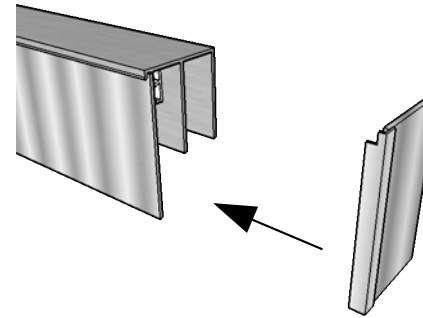
Step #7 Install two handles on on each door.



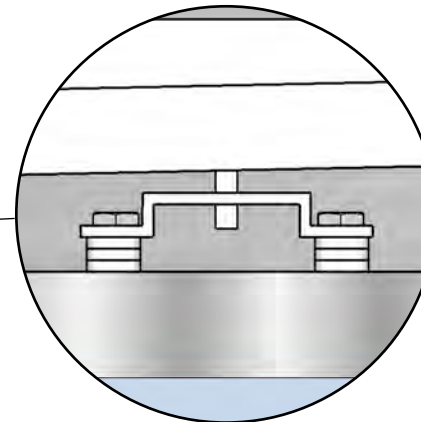
Step #8 Install bumpers on the header track to prevent doors from coming out. The holes for the bumpers are pre-drilled. Use #8 self-taping screws to attach bumpers.



Step #9 Install end caps by pressing them on.



Step #10 Optional. After doors are installed, check to make sure there is no gap where doors meet. Adjust the levelness of the doors if necessary. If adjustment is needed, remove valance, which is attached to header with screws. Make adjustments to the roller stem with thin nose pliers while the doors are in place. Note: There are spacers pre-installed to adjust and align doors before shipment from factory.



PRODUCT NAME
**PX Dual Sliding Door
Installation Guide**
Rev A1

CREATED
May 31, 2016
MODIFIED
August 9,

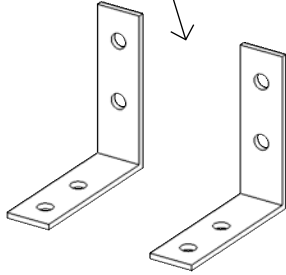
POLARGY, INC.
256 Gibraltar Drive, Suite 106
Sunnyvale, CA 94089

PX

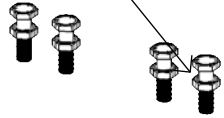
05

Kit of Parts

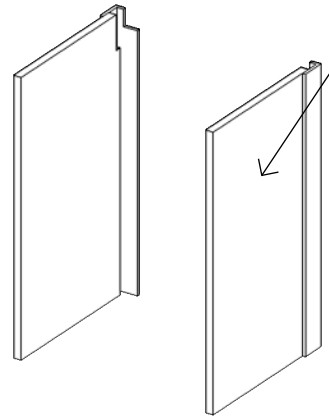
• BRACKETS, NUTS/BOLTS FOR HEADER,
HARDWARE FOR ATTACHMENT TO RACKS
NOT PROVIDED



• NUTS/BOLTS FOR
LEGS TO HEADER



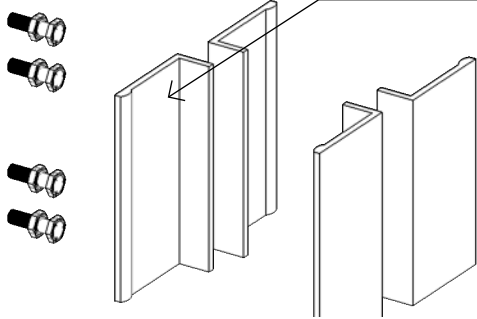
• END CAPS
PRESSURE FIT ONTO
HEADER FACE



• END BUMPERS, INSTALL
INTO ENDS
OF ROLLER TRACK
INSIDE HEADER.
INSTALL AFTER PUTTING
DOORS
ONTO HEADER TRACK



• DOOR HANDELS,
INSTALL AFTER
PUTTING DOORS



PRODUCT NAME
**PX Dual Sliding Door
Installation Guide**
Rev A1

CREATED
May 31, 2016
MODIFIED
August 9,

POLARGY, INC.
256 Gibraltar Drive, Suite 106
Sunnyvale, CA 94089

