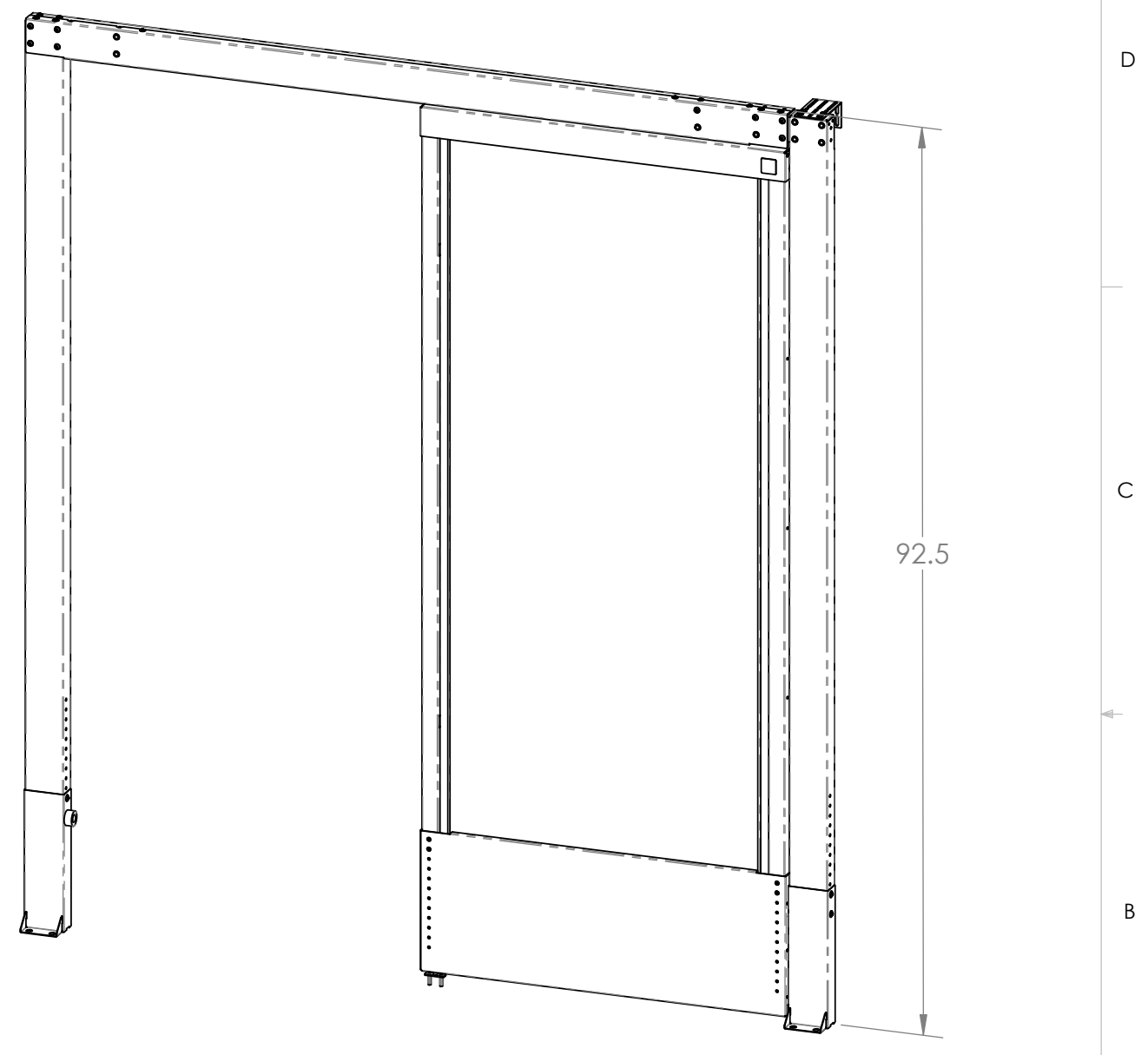
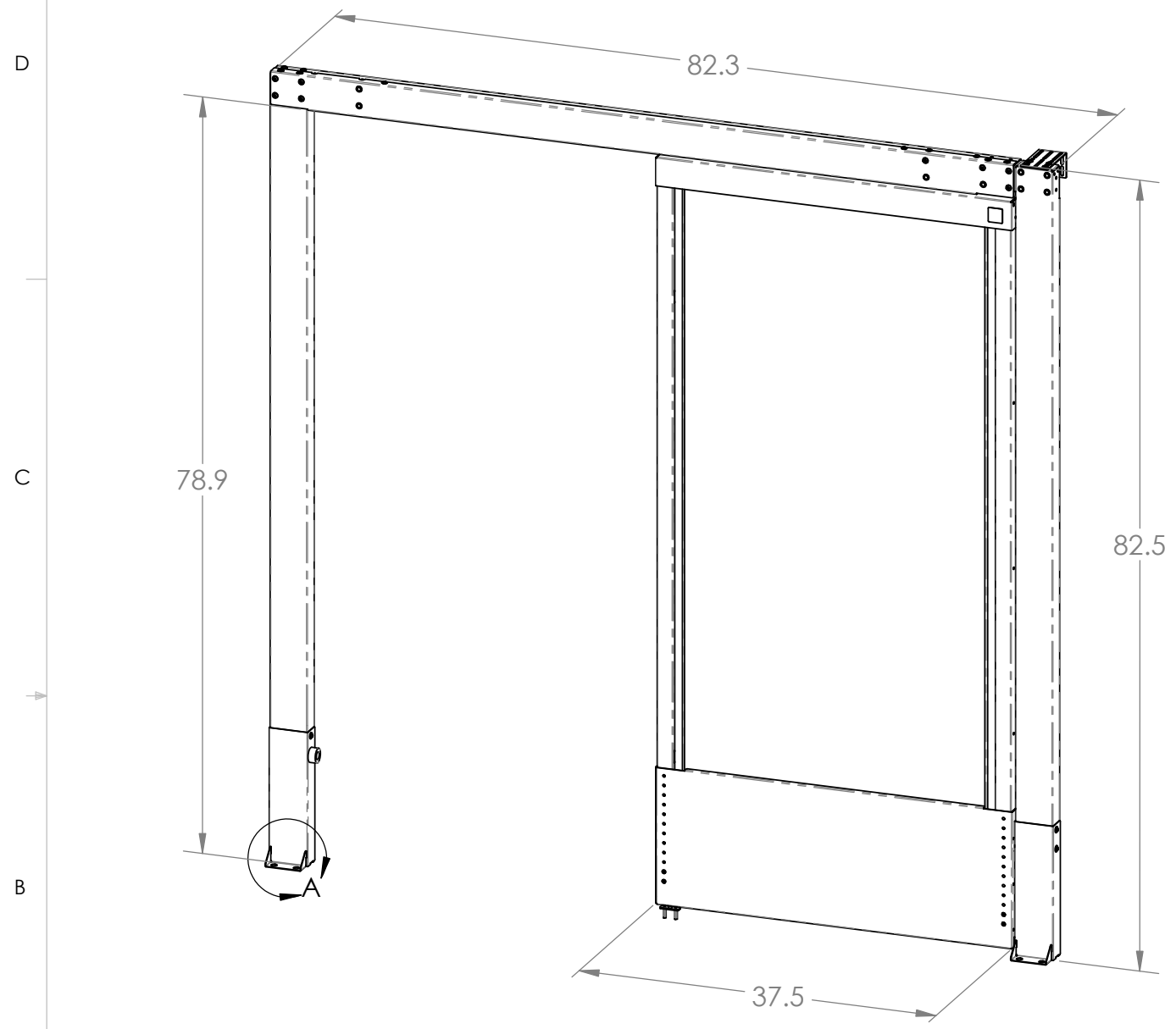
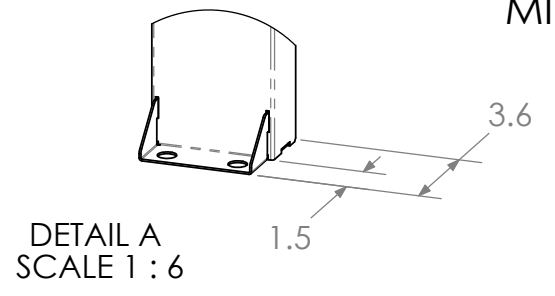


8 7 6 5 4 3 2 1



MINIMUM HEIGHT

MINIMUM HEIGHT



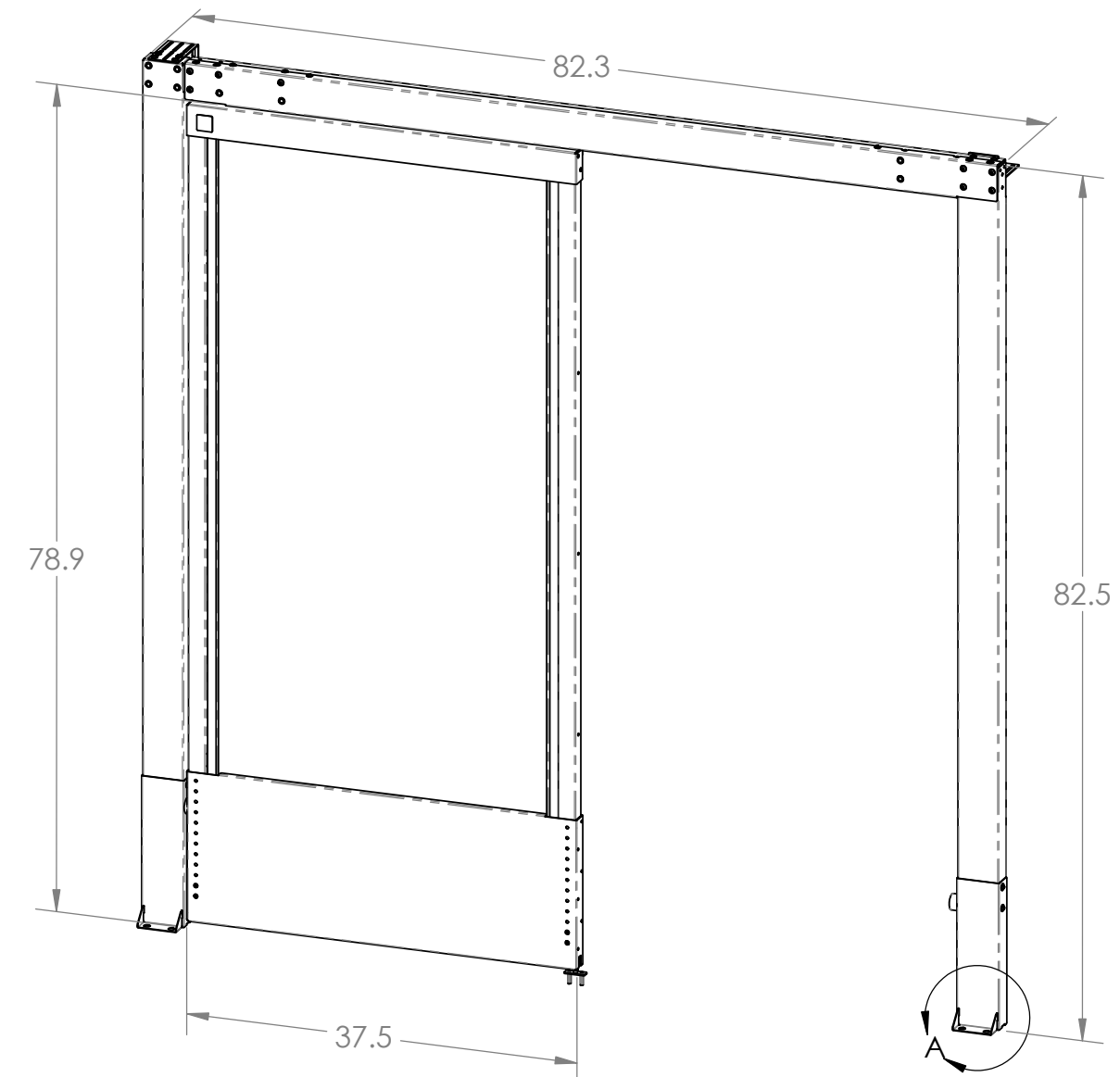
	NAME	DATE	POLARGY	
DRAWN	T GERATY	8/16/2012		
CHECKED			TITLE:	
ENG APPR.			SINGLE DOOR, 37.5IN, LEFT	
MFG APPR.				
Q.A.				
COMMENTS:			SIZE	DWG. NO.
			B	PA Left-Door_&_Frame_Assy_37.5in
	SCALE: 1:16	WEIGHT:	SHEET 1 OF 1	

8 7 6 5 4 3 2 1

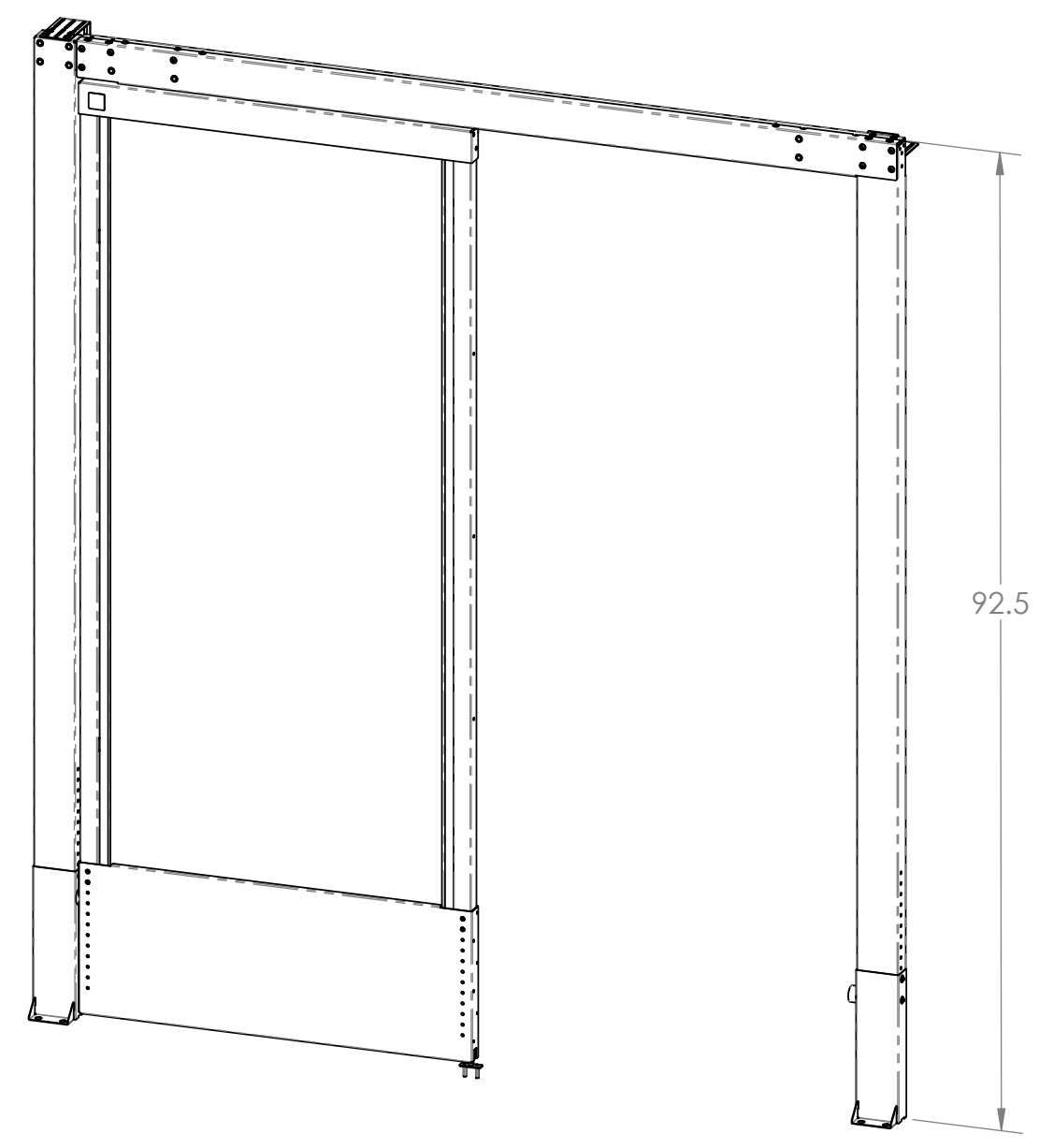
8 7 6 5 4 3 2 1

D
C
B
A

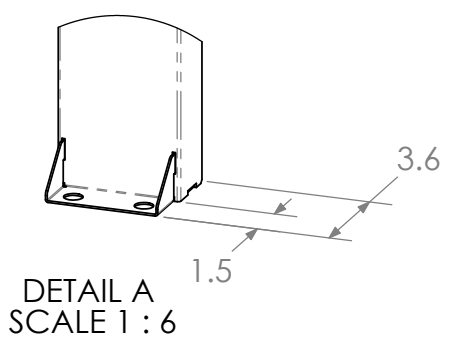
D
C
B
A



MINIMUM HEIGHT



MAXIMUM HEIGHT



DETAIL A
SCALE 1 : 6

	NAME	DATE	POLARGY	
DRAWN	T GERATY	8/16/2012		
CHECKED			TITLE:	
ENG APPR.			SINGLE DOOR, 37.5IN, RIGHT	
MFG APPR.				
Q.A.				
COMMENTS:			SIZE	DWG. NO.
			B	PAD_Right-Door_&_Frame_Assy_37.5in
	SCALE: 1:16	WEIGHT:	SHEET 1 OF 1	

8 7 6 5 4 3 2 1