



# **PolarPlex™ SPS Installation Guide**

Revision 2

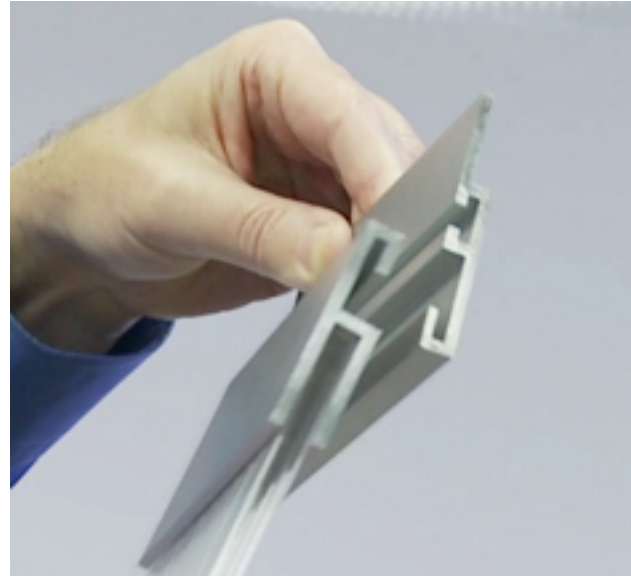
**Polargy, Inc.**  
256 Gibraltar Drive, Suite 106  
Sunnyvale, CA 94089  
888.816.8338  
[www.polargy.com](http://www.polargy.com)



# PolarPlex™ SPS Installation Guide

## Suspended Panel System (SPS) Overview

The PolarPlex™ SPS is a ceiling suspended aisle containment solution with an innovative quick connect and quick removal design. This is a rigid vertical containment system that is rack independent so it is deployed without having to be supported by the server cabinets.



## SPS Component Overview

The PolarPlex SPS consist primarily of a Support Channel and the SPS Panels which hook into the Support Channel. In addition, there are Corner Trim Pieces, Splicers, Bottom F-Channel, Packing Foam and Aligning Clips and mounting hardware (P-Clips or SPS L-Brackets).

## Basic Installation Steps

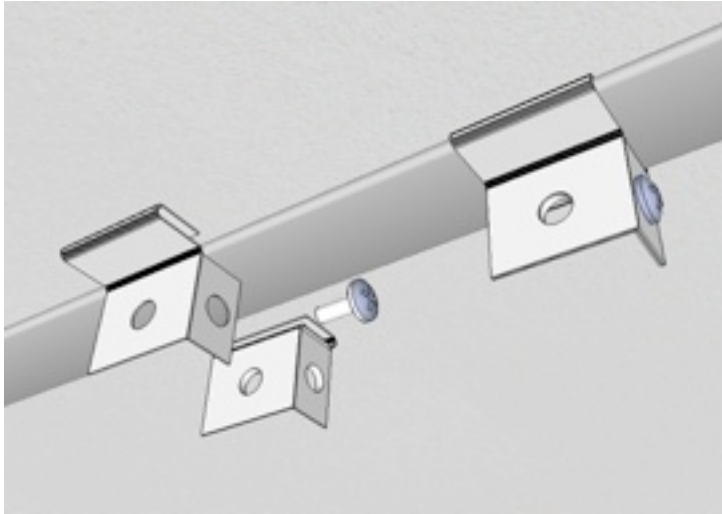
1. Connect the Support Channel to the ceiling.
2. Insert Straight and Corner Splicers to join and align adjacent Support Channel Pieces.
3. Install Bottom F-Channel if included.
4. Hook on the SPS Panels.
5. Secure the bottom of the panels with the Packing Foam in the F-Channel or with the Alignment Clips.
6. Install Corner Trim Pieces.



## PolarPlex™ SPS Installation Guide

### Connecting the Support Channel to the Ceiling

If connecting to a drop T-bar ceiling, then use the P-Clips as shown below. Otherwise, if connecting to a strut grid for example, then use the SPS L-Brackets or other customer provided hardware as needed. In either case, determine the layout for the Support Channel, set the locations of mounting points and then cut the Channel length and drill the mounting holes as needed.



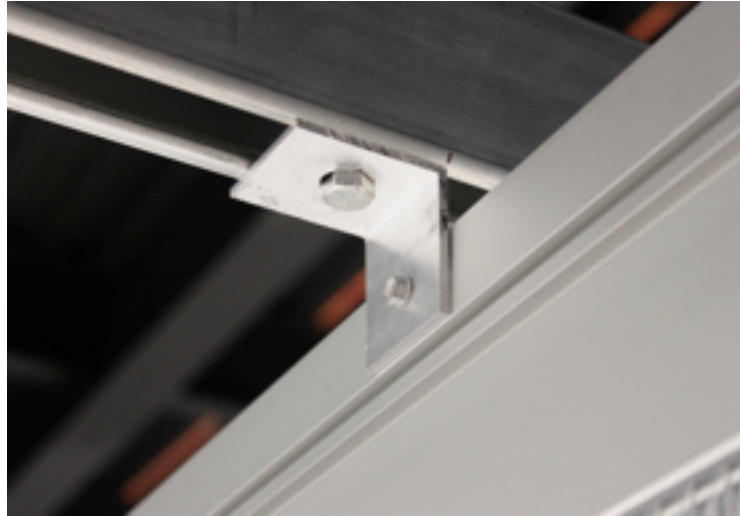
P-Clip



Support Channel attached with P-Clips



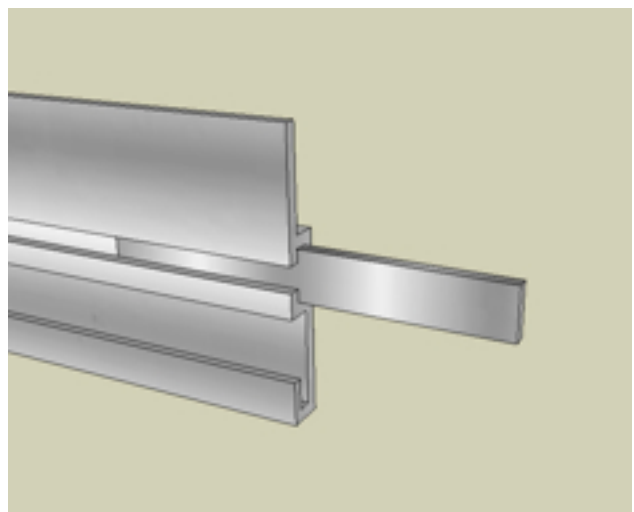
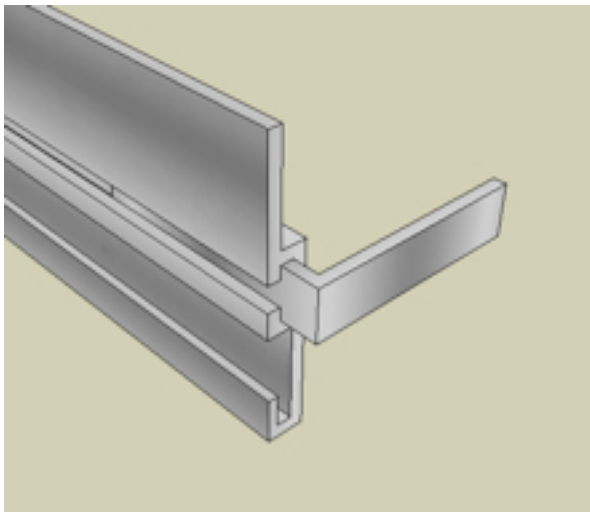
## PolarPlex™ SPS Installation Guide



SPS L-Bracket on Strut

### Splicers

Join the adjacent Support Channel pieces with Splicers. These just slide into the channel but can be more tightly secured into place with glue or caulking.



Corner and Straight Splicers



## PolarPlex™ SPS Installation Guide

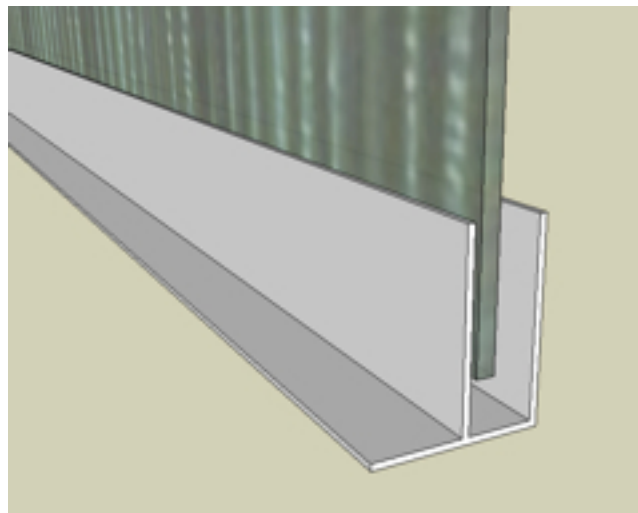
### Hooking on the SPS Panels

The SPS Panels easily hook on for installation and are just as easily lifted off for removal. No tools are required. SPS panels are typically delivered in standard 48" sections. However, they may be ordered in specific widths. Otherwise, field cutting of one of the 48" panels will be needed for requirements less than 48" wide.



### Bottom F-Channel

An F-Channel may be included in some projects. The purpose of the bottom F-Channel is to align the panels, secure them against movement, and to accommodate variance in heights. It can be either hard attached to the rack tops or simply attached with 3M Dual Lock. The SPS Panels are then be aligned to the front of the channel by inserting a 1"x1"x2" piece of Packing Foam into the channel.

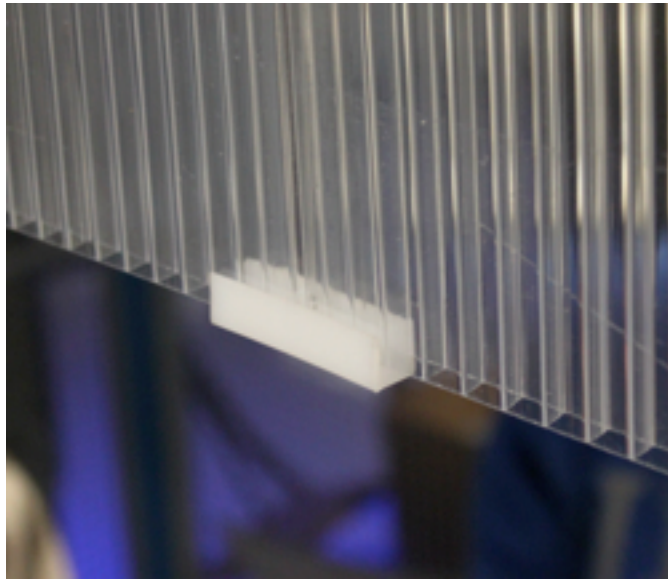




## PolarPlex™ SPS Installation Guide

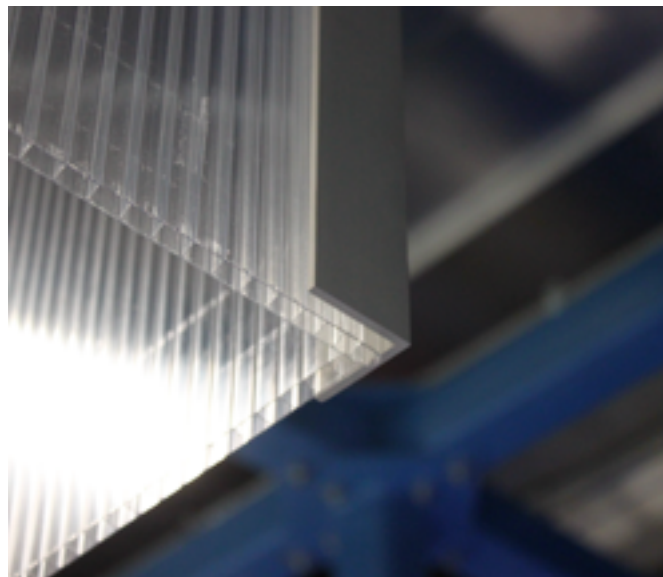
### Bottom Alignment Clips

For some installations, the F-Channel will not be included. In those cases, Alignment Clips are attached to the bottom of the panels to align them. These just hold onto the panel with friction.



### Corner Trim Pieces

The Corner Trim pieces are delivered with low profile 3M Dual Lock on them. 3M Dual Lock is a kind of re-closable fastener tape like Velcro. After the panels are installed, adhere the Corner Trim pieces to each corner.





# PolarPlex™ SPS Installation Guide

## Ordering the SPS

The SPS is largely ordered by specifying Linear Feet and Overall Height. Call out Panels and Corner Trim Pieces at the overall system height, these will be slightly less than that to account for the Support Channel height and SPS upper hook height.

**Support Channel** - Priced and ordered by Linear Feet. Typically delivered in 8' sections though specify exact cuts as needed.

**SPS Panels** - Priced and ordered by Linear Feet, are delivered in 48" wide panels. Specify overall height needed, panels themselves will be about 2" shorter to account for the Support Channel. Specify exact dimensions as desired no more than 48" wide and no more than 96" tall. SPS Panels may also be field cut as needed.

**Corner Trim Pieces** - Priced and ordered by Linear Feet. These are cut to match height of twin-wall section of panels. Specify overall height needed, corner pieces themselves will be about 4.5" shorter to account for the Support Channel and SPS upper hook.

**F-Channel** - Priced and ordered by Linear Feet. Typically delivered in 8' sections though specify exact cuts as needed.

**Splicers** - Straight Splicers and Corner Splicers are packaged in sets of 5.

**Packing Foam** - Packing Foam pieces are packaged in sets of 5.

**Alignment Clips** - 2" wide Alignment Clips are packaged in sets of 5.

**Hardware** - P-Clips and SPS L-Brackets are packaged in sets of 5.