



DATE CREATED
August 14, 2017

DATE MODIFIED
August 14, 2017

LOCATION
Sunnyvale, CA, USA

PROJECT NAME
**Flat-Pack
Aisle Containment**



POLARGY

DATE CREATED
August 14, 2017

DATE MODIFIED
August 14, 2017

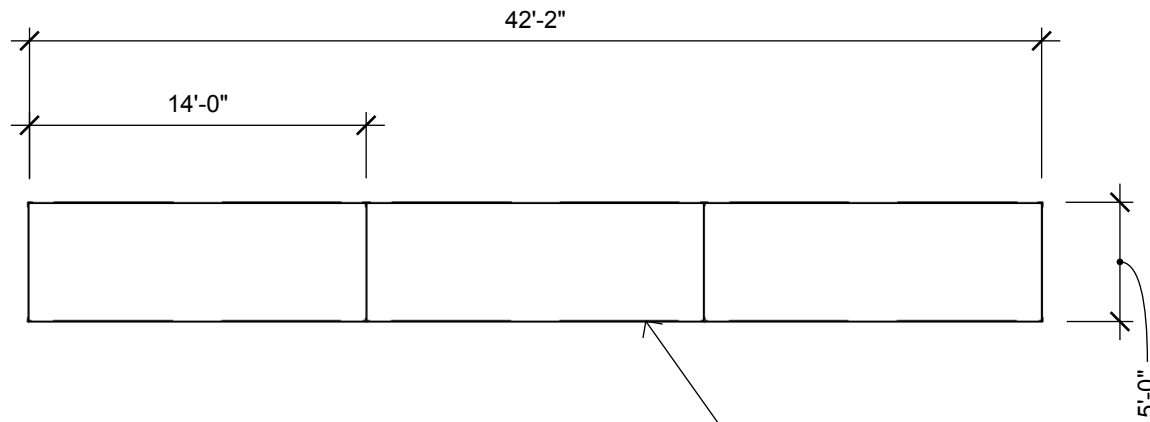
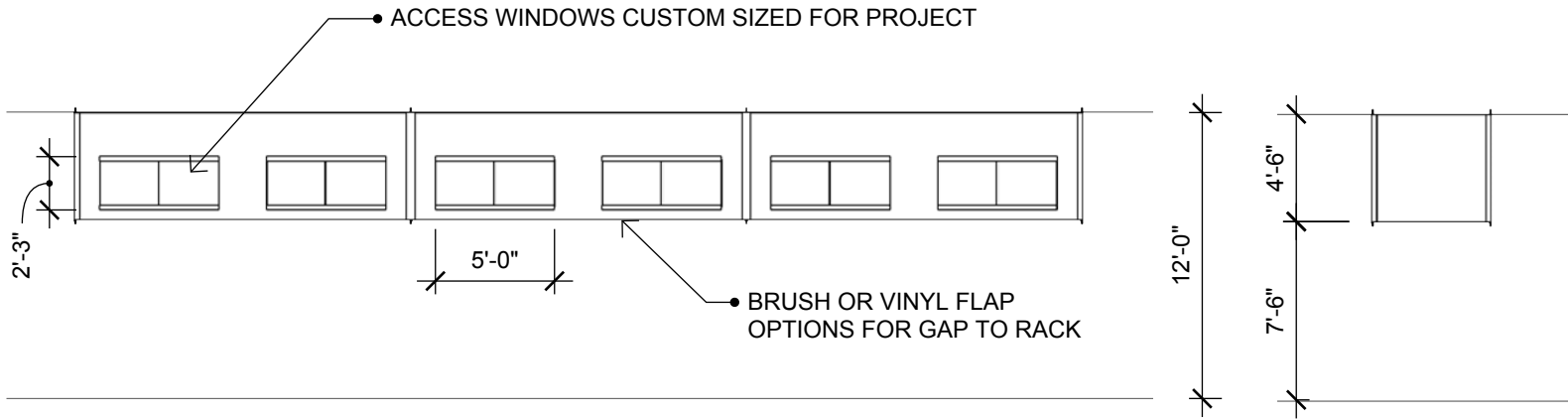
LOCATION
Sunnyvale, CA, USA

PROJECT NAME
**Flat-Pack
Aisle Containment**

02

SIDE VIEW

FRONT VIEW



TOP VIEW

• OVERALL SIZE IS CUSTOM BY PROJECT



POLARGY

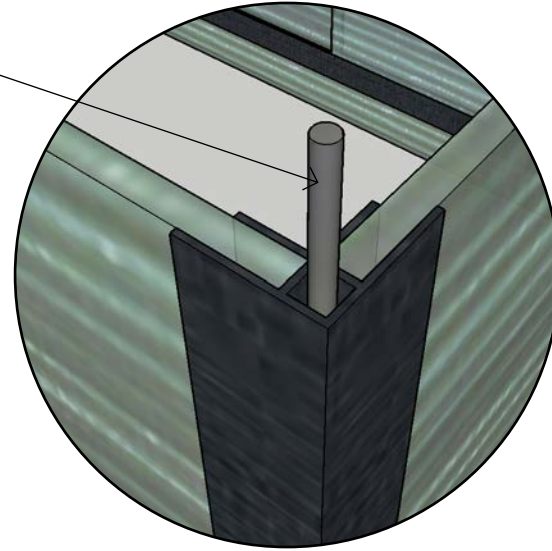
DATE CREATED
August 14, 2017

DATE MODIFIED
August 14, 2017

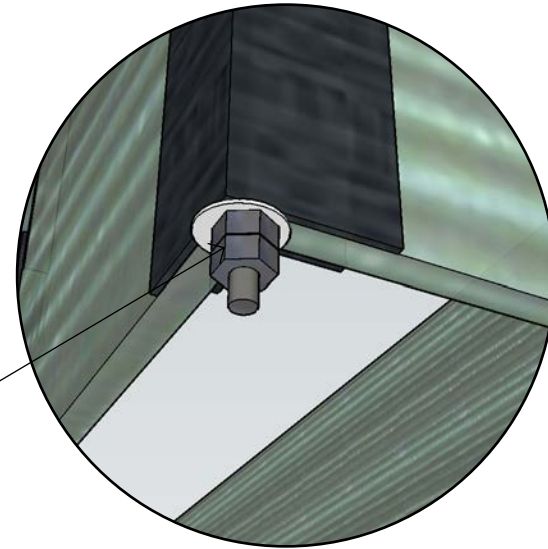
LOCATION
Sunnyvale, CA, USA

PROJECT NAME
**Flat-Pack
Aisle Containment**

THREADED ROD SUPPORTED BY
CEILING STRUCTURE



SYSTEM IS ASSEMBLED ON FLOOR
AND LIFTED OVER THREADED ROD
UP TO CEILING



WASHER/BOLTS HOLD SYSTEM
IN PLACE ON THREADED ROD

