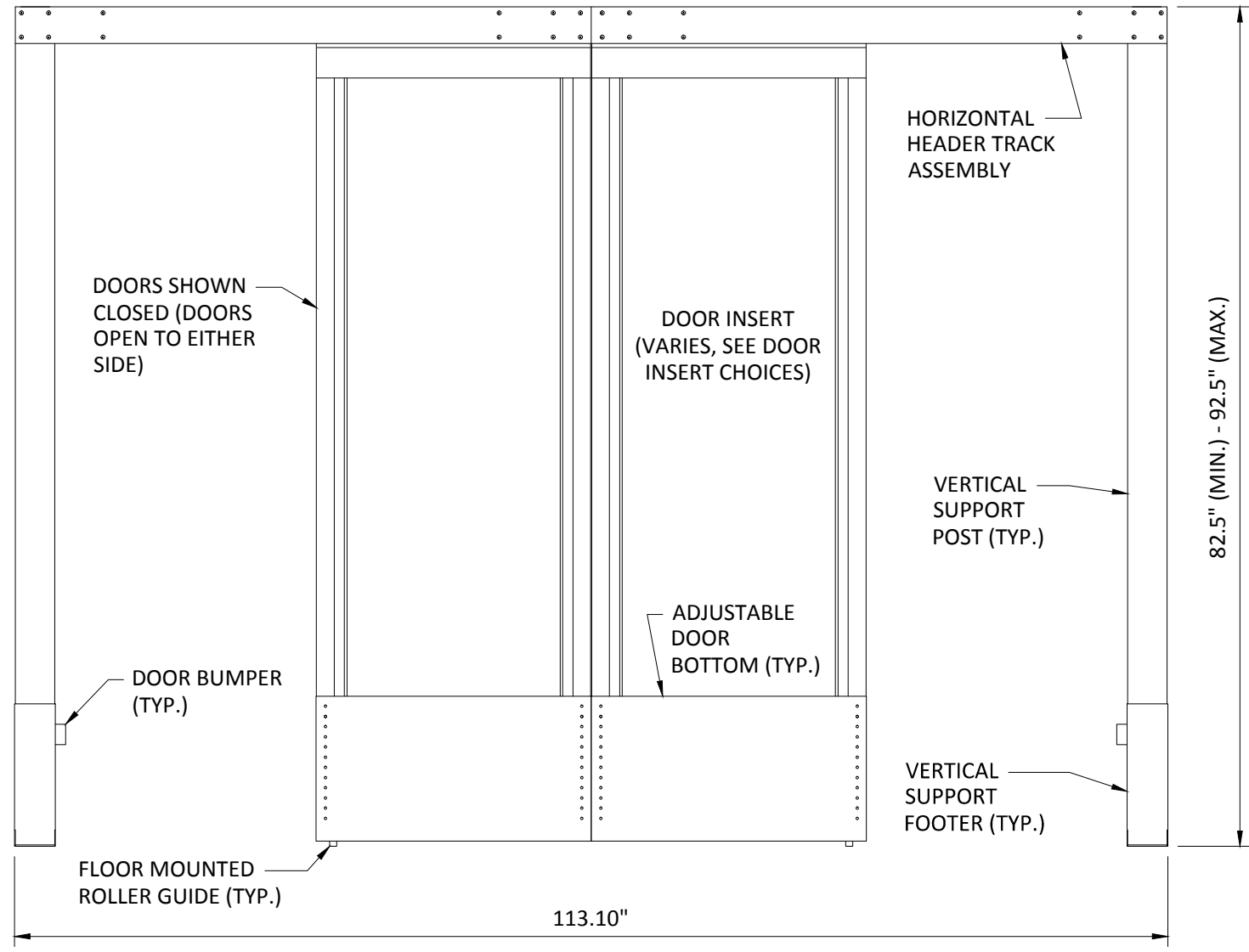
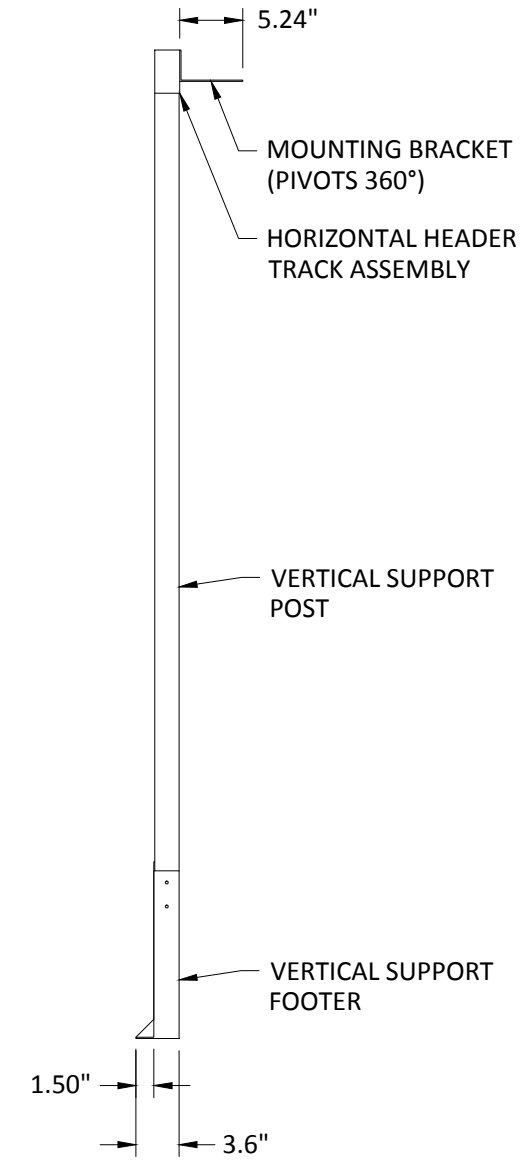


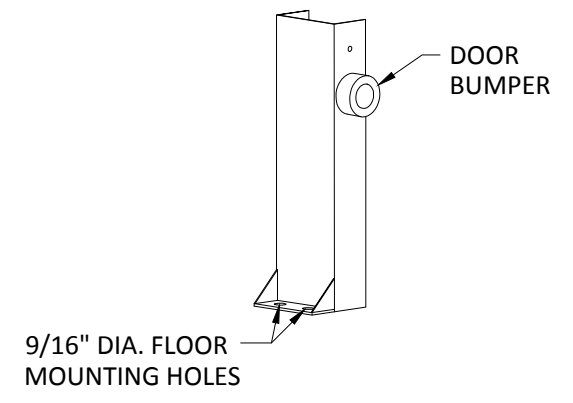
TOP VIEW
SCALE: 1" = 16"



FRONT VIEW
SCALE: 1" = 16"



SIDE VIEW
SCALE: 1" = 16"



VERTICAL SUPPORT FOOTER DETAIL
N.T.S.

GENERAL INFORMATION

DIMENSIONS
DOOR FRAME EXTERIOR DIMENSIONS: 113.1" WIDE,
82.5" - 92.5" HEIGHT*

DOOR(S) WIDTH: 27.0"

* HEIGHT ADJUSTABLE IN 1" INCREMENTS

MATERIALS

DOOR & FRAME: SHEET STEEL W/ BLACK POWDER COAT
DOOR INSERT: SEE BELOW

INSERTS

- 8mm TWINWALL POLYCARBONATE PLASTIC (CLEAR)
- 0.125" SOLID POLYCARBONATE PLASTIC (CLEAR)
- 0.125" FM4910 CPVC (TINTED)
- CUSTOM (CONTACT US FOR CUSTOM OPTIONS)

MISCELLANEOUS

WEIGHT: 200 lbs
FEATURE(S): AUTO CLOSE
OPTION(S): MAGNETIC HOLD OPEN

PROVIDED BY:	REVISION #:	1.0
ITS	DATE:	1/03/14
ALT. UNITS:	-	SHEET:
SCALE:	VARIABLE	1 OF 1

**POLARGY - POLARPLEX
P2 SLIDING DOOR (DOUBLE)**

REVISION	DATE
-	-
-	-
-	-
-	-



THIS DRAWING AND SPECIFICATIONS HEREIN ARE THE PROPERTY OF POLARGY, INC. AND SHALL NOT BE COPIED, REPRODUCED OR USED IN WHOLE OR IN PART, AS THE BASIS FOR THE MANUFACTURE OR SALE OF ITEMS WITHOUT WRITTEN PERMISSION FROM POLARGY, INC. THIS DRAWING IS BASED UPON LATEST AVAILABLE INFORMATION AND IS SUBJECT TO CHANGE WITHOUT NOTICE.