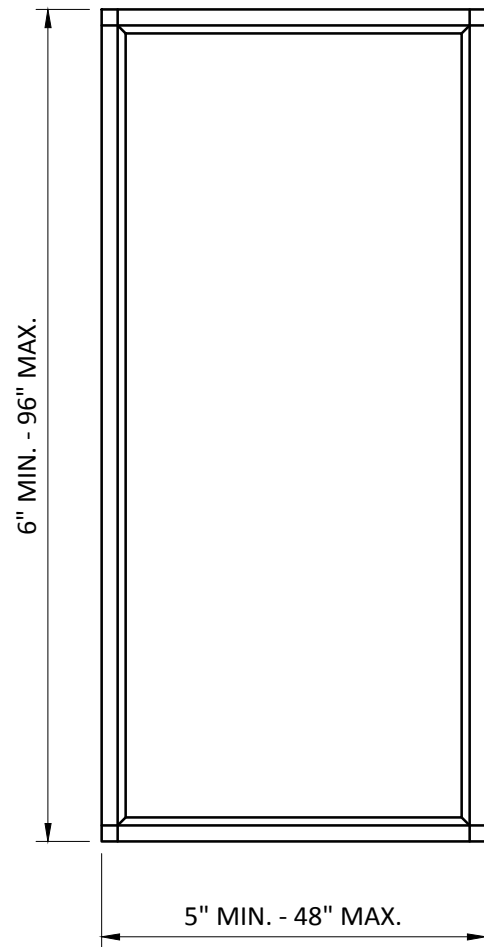
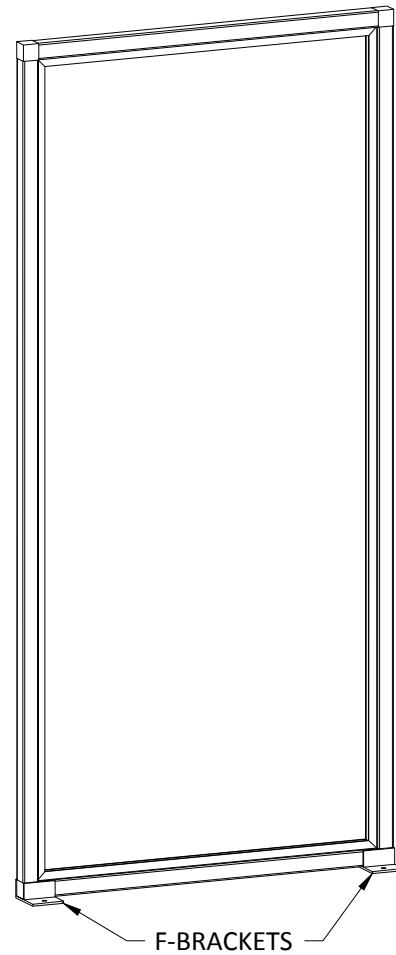


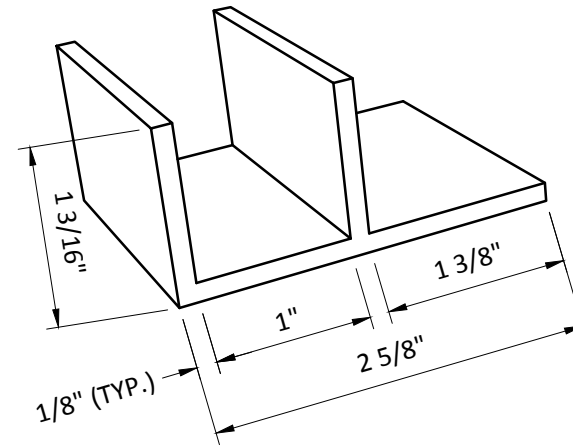
**TOP VIEW**  
SCALE: 1" = 1'



**FRONT VIEW**  
SCALE: 1" = 1'



**PERSPECTIVE VIEW**  
SCALE: N.T.S.



**F-BRACKET DETAIL**  
SCALE: N.T.S.

**GENERAL INFORMATION**

PANEL SIZES: WIDTH (FROM 5" TO 48"), HEIGHT (FROM 6" TO 96")  
WEIGHT: 2'x4' PANEL = 8.5lbs

FRAME: CLEAR ANODIZED ALUMINUM  
CORNER: MOLDED NYLON (BLACK)  
PANEL: SEE BELOW

**PANEL INSERT CHOICES**

- 8mm TWINWALL POLYCARBONATE PLASTIC (CLEAR)
- 0.125" SOLID POLYCARBONATE PLASTIC (CLEAR)
- 0.125" FM4910 CPVC (TINTED - BLUE OR GRAY)
- CUSTOM (CONTACT US FOR CUSTOM OPTIONS)

**F-BRACKET MOUNTING NOTES**

1. SEE MOUNTING DIRECTIONS FOR SPECIFICS ON USING F-BRACKET TO MOUNT PANELS.

PROVIDED BY:	ITS	REVISION #:	1.0
ALT. UNITS:	-	DATE:	10/04/13
SCALE:	VARIES	SHEET:	1 OF 1

**POLARGY - POLARPLEX  
STANDARD PANEL  
OVERVIEW & F-BRACKET MOUNTING**

REVISION	DATE
-	-
-	-
-	-
-	-



THIS DRAWING AND SPECIFICATIONS HEREIN ARE THE PROPERTY OF POLARGY, INC. AND SHALL NOT BE COPIED, REPRODUCED OR USED IN WHOLE OR IN PART, AS THE BASIS FOR THE MANUFACTURE OR SALE OF ITEMS WITHOUT WRITTEN PERMISSION FROM POLARGY, INC. THIS DRAWING IS BASED UPON LATEST AVAILABLE INFORMATION AND IS SUBJECT TO CHANGE WITHOUT NOTICE.