



**POLARGY**

DATE CREATED  
May 15, 2016

ISSUE DATE  
May 27, 2016

LOCATION  
Sunnyvale, CA, USA

PROJECT NAME  
**Rack Top Baffle  
Assembly Drawing**

**01**

**GENERAL INFORMATION**

STANDARD WIDTHS: 600MM, 609MM, 700MM, 762MM, 800MM

STANDARD HEIGHT: 24"

CUSTOM WIDTHS: 12" TO 76"

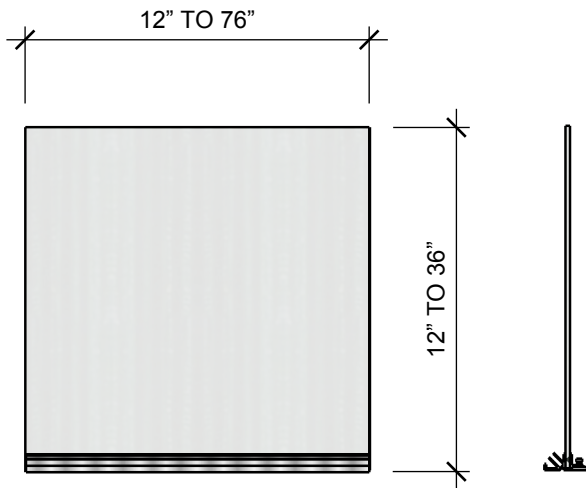
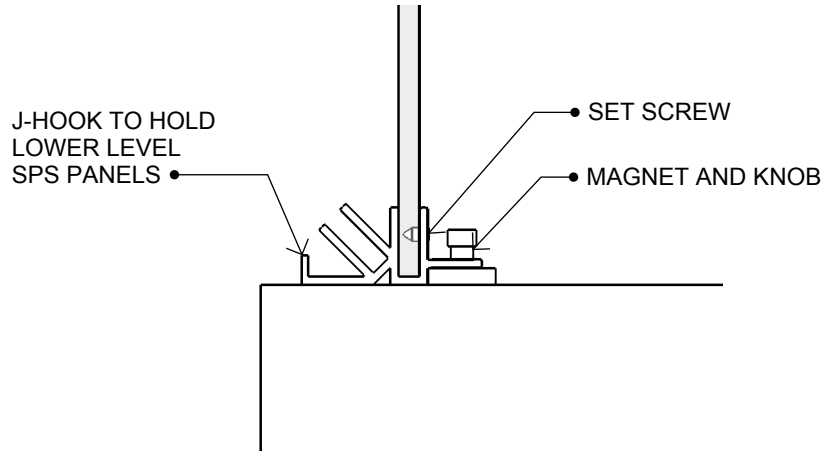
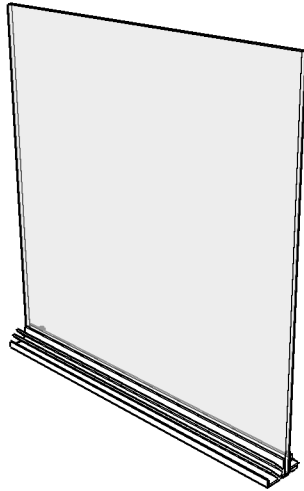
CUSTOM HEIGHTS: 12" TO 36" FOR VERTICAL, 12" TO 17.3" FOR 45 ANGLD

FRAME: CLEAR ANODIZED ALUMINUM

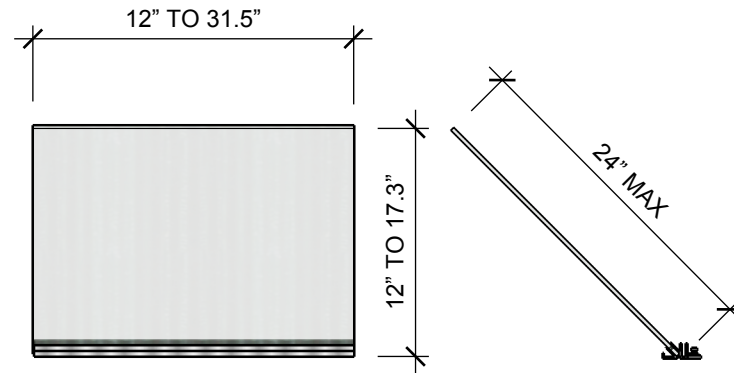
PANEL: 8MM TWIN-WALL POLYCARBONATE

**DIRECT MOUNTING NOTES**

1. PANEL RESTS ON TOP OF RACK ENCLOSURES TO FORM EITHER VERTICAL BARRIER OF ANGLED "ROOF" OF THE CONTAINMENT AISLE.
2. PANEL IS MOUNTED TO ENCLOSURES WITH NEO MAGNETS



VERTICAL MOUNT



45 DEGREE MOUNT