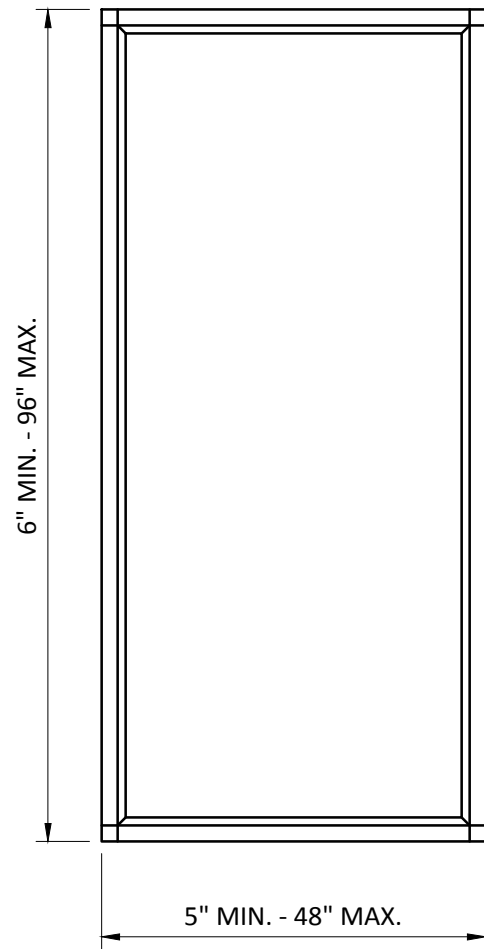
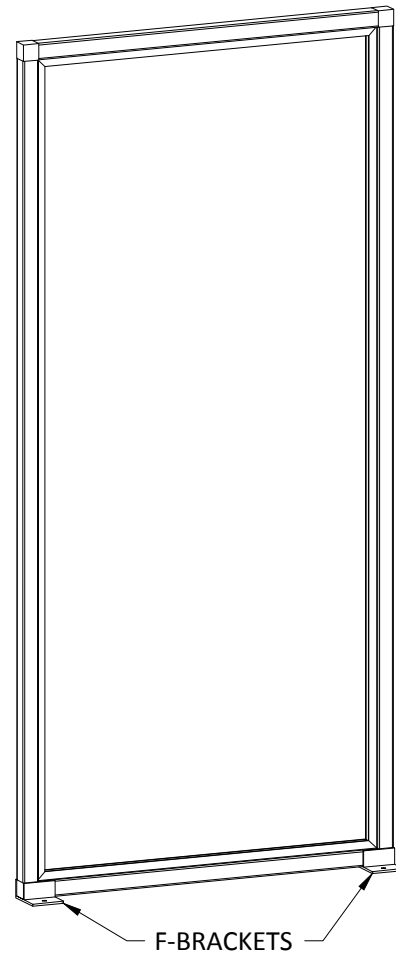


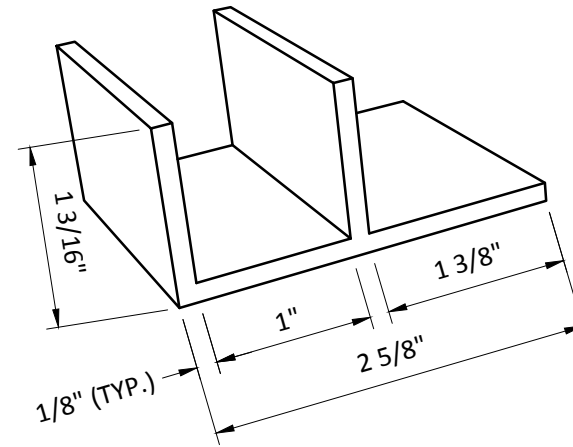
TOP VIEW
SCALE: 1" = 1'



FRONT VIEW
SCALE: 1" = 1'



PERSPECTIVE VIEW
SCALE: N.T.S.



F-BRACKET DETAIL
SCALE: N.T.S.

GENERAL INFORMATION

PANEL SIZES: WIDTH (FROM 5" TO 48"), HEIGHT (FROM 6" TO 96")
WEIGHT: 2'x4' PANEL = 8.5lbs

FRAME: CLEAR ANODIZED ALUMINUM (BLACK POWDER COAT OPTION)
CORNER: MOLDED NYLON (BLACK)
PANEL: SEE BELOW

PANEL INSERT CHOICES

- 8mm TWINWALL POLYCARBONATE PLASTIC (CLEAR)
- 0.125" SOLID POLYCARBONATE PLASTIC (CLEAR)
- 0.125" CPVC (TINTED)
- CUSTOM (CONTACT US FOR CUSTOM OPTIONS)

F-BRACKET MOUNTING NOTES

1. SEE MOUNTING DIRECTIONS FOR SPECIFICS ON USING F-BRACKET TO MOUNT PANELS.

PROVIDED BY:	ITS	REVISION #:	1.01
ALT. UNITS:	-	DATE:	4/15/14
SCALE:	VARIES	SHEET:	1 OF 1

**POLARGY - POLARPLEX
STANDARD PANEL
OVERVIEW & F-BRACKET MOUNTING**

REVISION	DATE
-	-
-	-
-	-
-	-



THIS DRAWING AND SPECIFICATIONS HEREIN ARE THE PROPERTY OF POLARGY, INC. AND SHALL NOT BE COPIED, REPRODUCED OR USED IN WHOLE OR IN PART, AS THE BASIS FOR THE MANUFACTURE OR SALE OF ITEMS WITHOUT WRITTEN PERMISSION FROM POLARGY, INC. THIS DRAWING IS BASED UPON LATEST AVAILABLE INFORMATION AND IS SUBJECT TO CHANGE WITHOUT NOTICE.