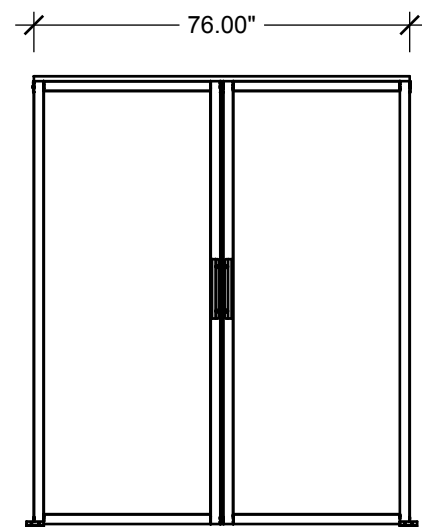
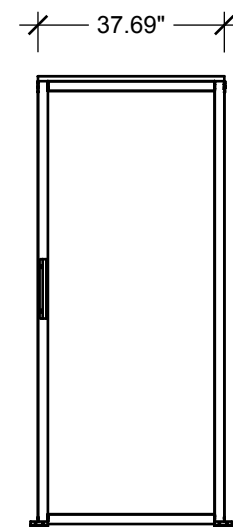


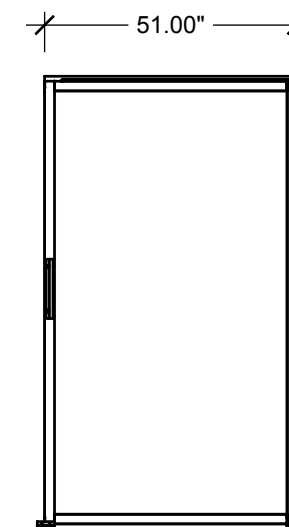
**4' DUAL DOOR**



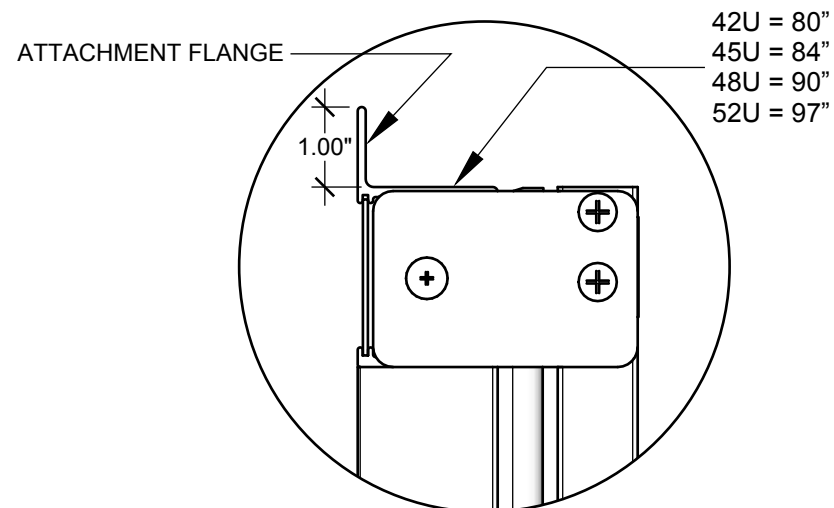
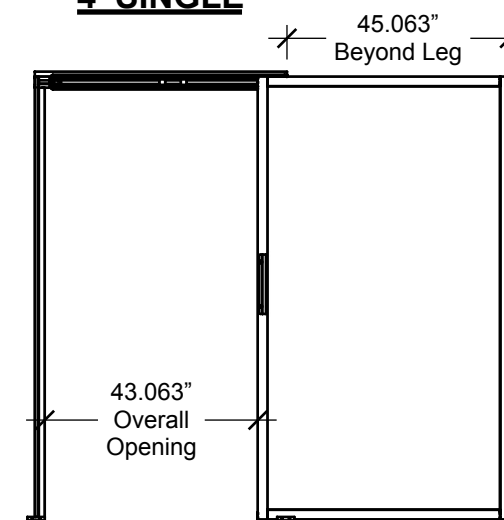
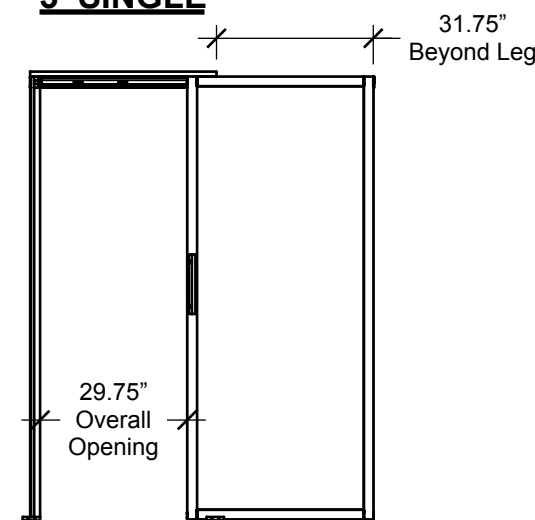
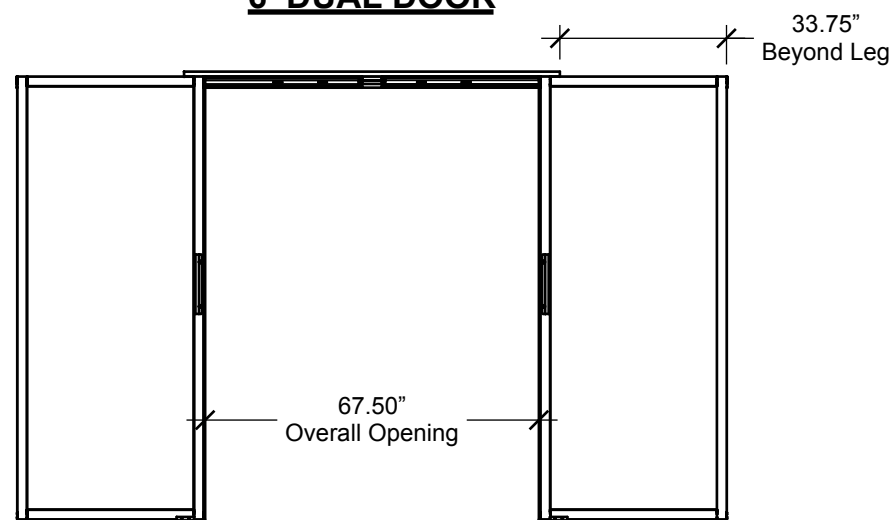
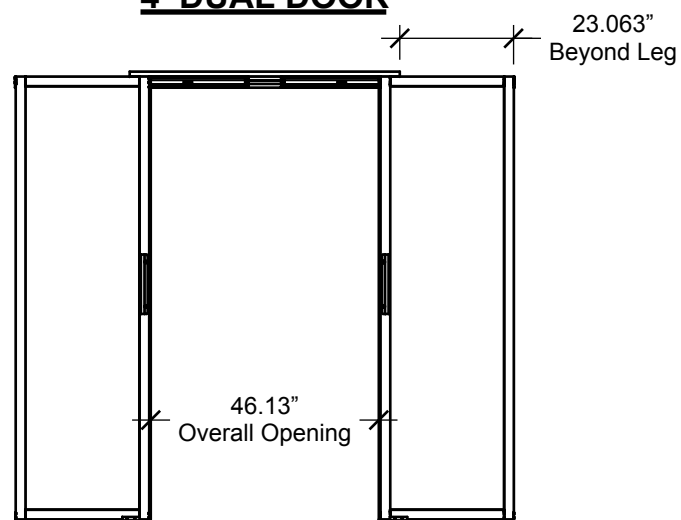
**6' DUAL DOOR**



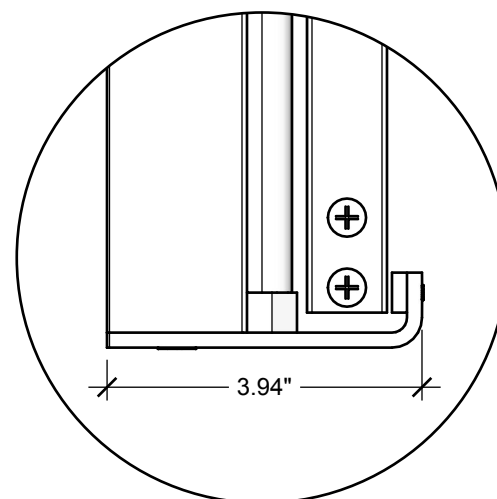
**3' SINGLE**



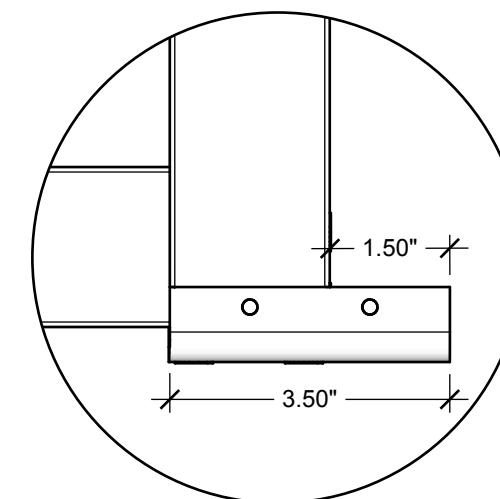
**4' SINGLE**



**SIDE TOP DETAIL**



**SIDE FOOTPAD DETAIL**



**FRONT FOOTPAD DETAIL**

REV. **A**  
PAGE **01**  
TITLE **P5 Aluminum PolarSlide Aisle End Containment Doors Technical Drawing**

PART NUMBER **N/A**  
DATE CREATED **NOVEMBER 23, 2020**  
PRODUCT FAMILY **P5 DOOR**

DRAWING NUMBER **B/CD00012**  
DRAWN BY **EK**

REV.	DESCRIPTION	DATE	APPR.
△	REVISED PER ECN#0001.	16JUL21	EK

TOLERANCES: (unless otherwise noted)  
DO NOT SCALE THIS DRAWING  
 .X Decimal = ±.015"  
 .XX = ±.010"  
 .XXX = ±.005"  
 Fractional: ±1/64"  
 Break corners & edges .010" [25mm] max.  
 Remove all burrs.  
 All dimensions in inches unless otherwise specified.

