

● 3/8" DIAMETER THREADED RODS  
TO STRUCTURE  
AT 4'X6' SPACING

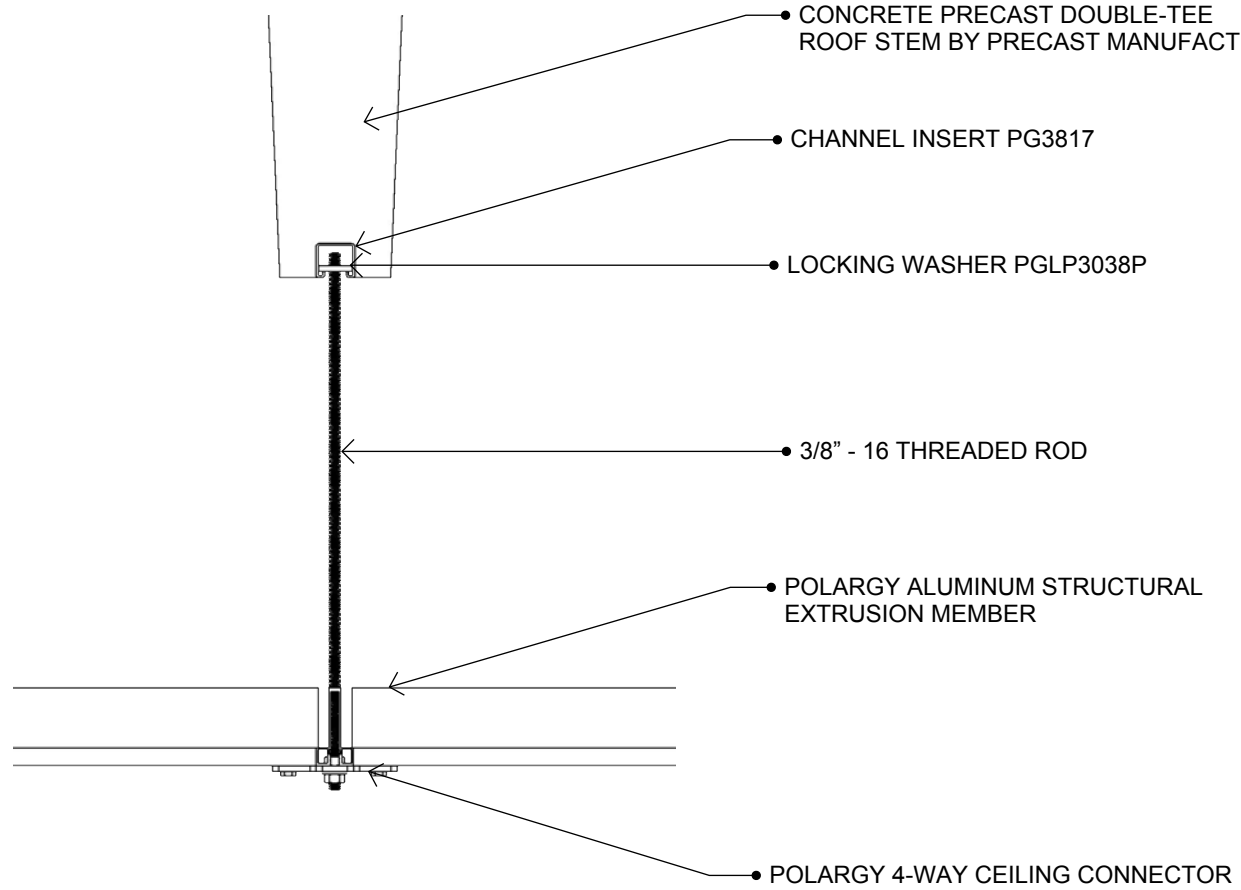
**1** CEILING FINISH PLAN  
3/32" = 1' 0"



DATE CREATED  
November 13, 2019  
LAST MODIFIED  
November 14, 2019

LOCATION  
Sunnyvale, CA, USA

PROJECT NAME  
**Polargy Integrated  
Ceiling System  
Architectural Views**



2

TYPICAL POLARGY CEILING CONNECTION DETAIL

1 1/2" = 1' 0"



DATE CREATED  
November 13, 2019  
LAST MODIFIED  
November 14, 2019

LOCATION  
Sunnyvale, CA, USA

PROJECT NAME  
**Polargy Integrated  
Ceiling System  
Architectural Views**

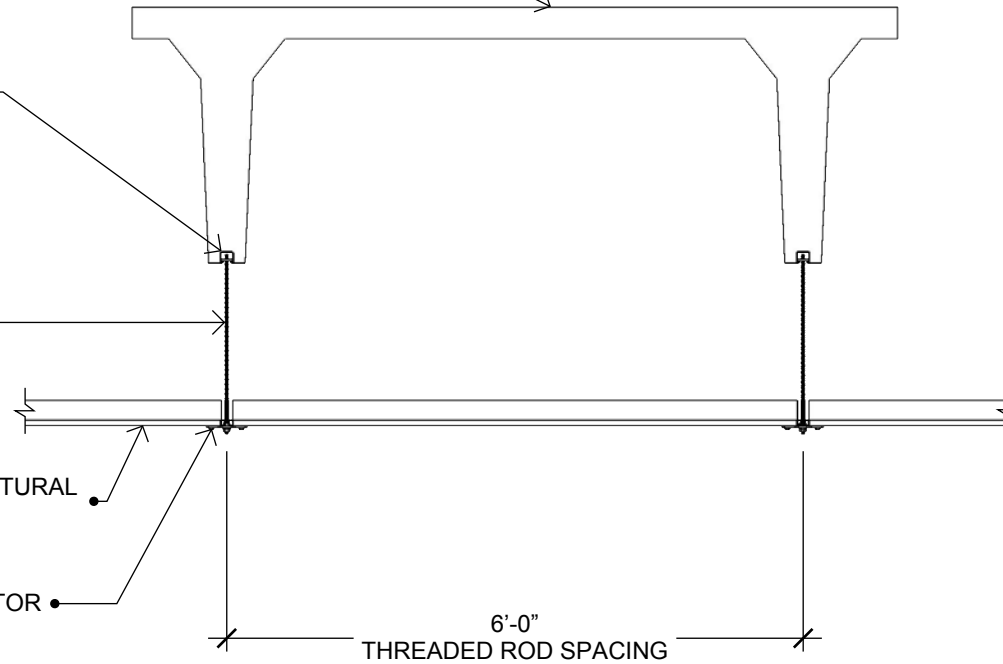
CONCRETE PRECAST DOUBLE-TEE  
ROOF BY PRECAST MANUFACTURER

EMBED CHANNEL  
PROVIDED BY PRECAST  
MANUFACTURER

3/8" - 16 THREADED  
ROD CONNECTION  
WITH 4' X 6' SPACING  
TO EMBED CHANNEL  
AND/OR UNISTRUT  
SUPPORTS

POLARGY ALUMINUM STRUCTURAL  
EXTRUSION MEMBER

POLARGY CEILING CONNECTOR



3

### TYPICAL POLARGY CEILING SECTION

3/4" = 1' 0"



**POLARGY**

DATE CREATED  
November 13, 2019  
LAST MODIFIED  
November 14, 2019

LOCATION  
Sunnyvale, CA, USA

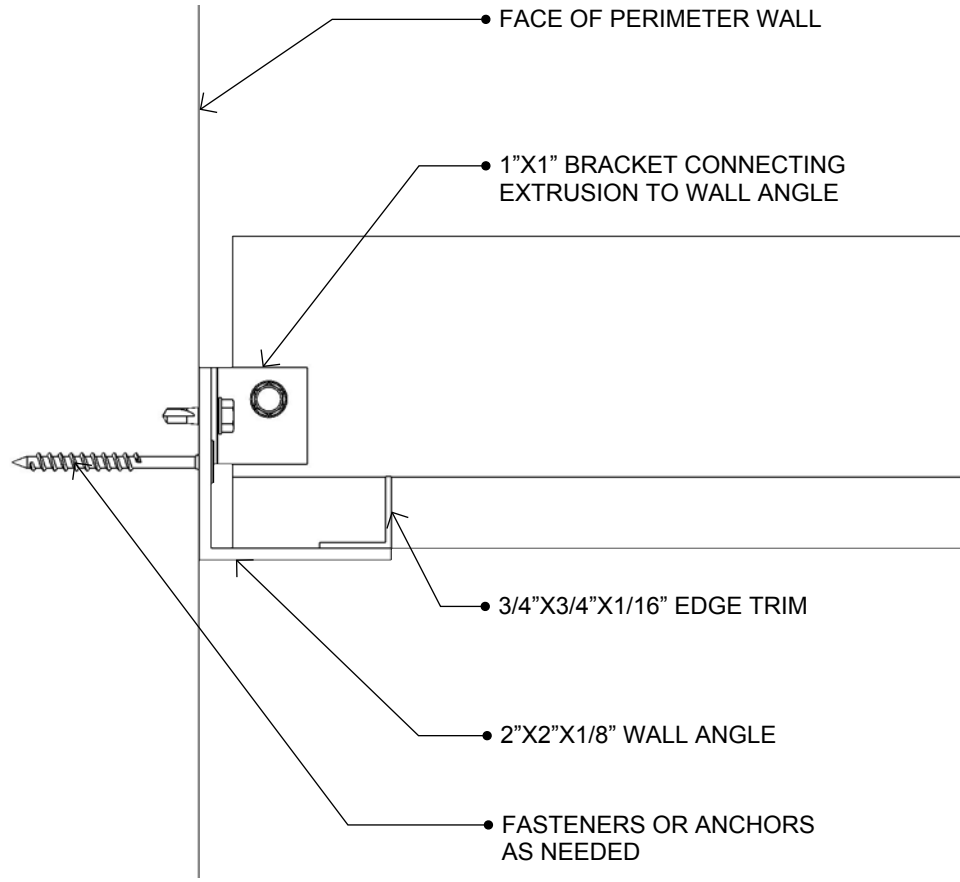
PROJECT NAME  
**Polargy Integrated  
Ceiling System  
Architectural Views**

03

4

POLARGY CEILING PERIMETER WALL CONNECTION

1" = 2"



POLARGY

DATE CREATED  
November 13, 2019

LAST MODIFIED  
November 14, 2019

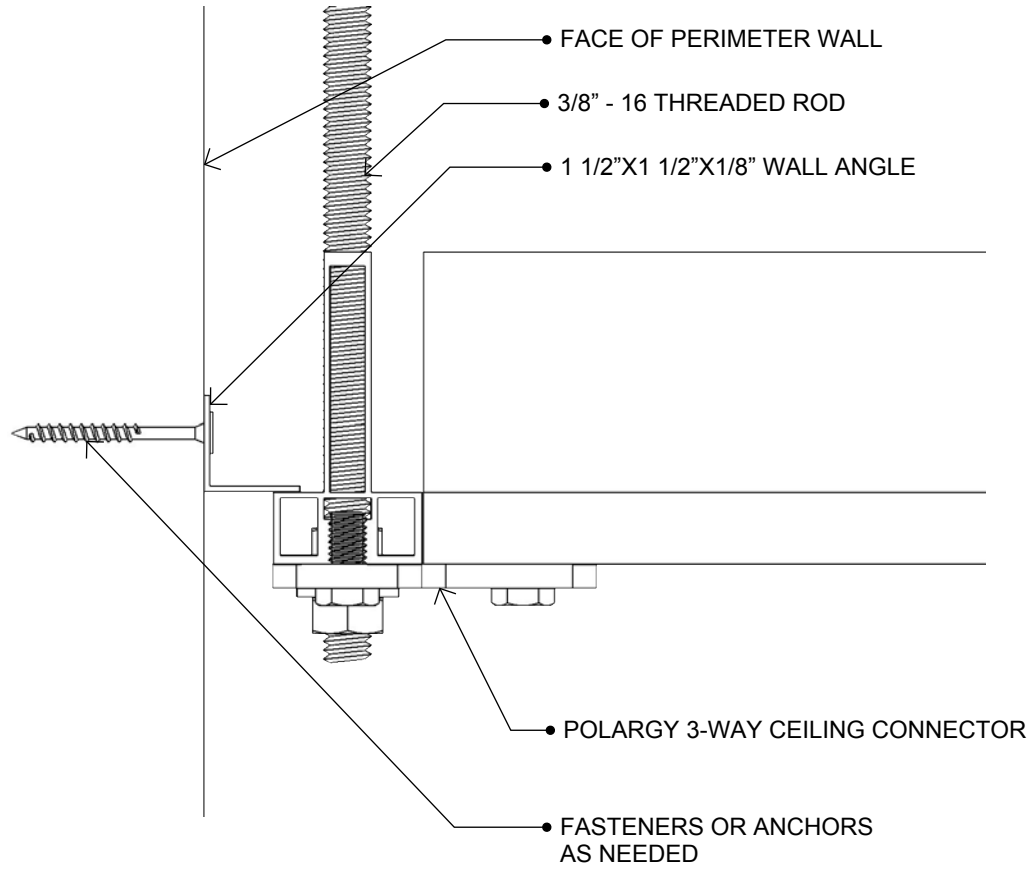
LOCATION  
Sunnyvale, CA, USA

PROJECT NAME  
**Polargy Integrated  
Ceiling System  
Architectural Views**

5

POLARGY CEILING FLOATING PERMITER DETAIL

1" = 2"



POLARGY

DATE CREATED  
November 13, 2019

LAST MODIFIED  
November 14, 2019

LOCATION  
Sunnyvale, CA, USA

PROJECT NAME  
**Polargy Integrated  
Ceiling System  
Architectural Views**



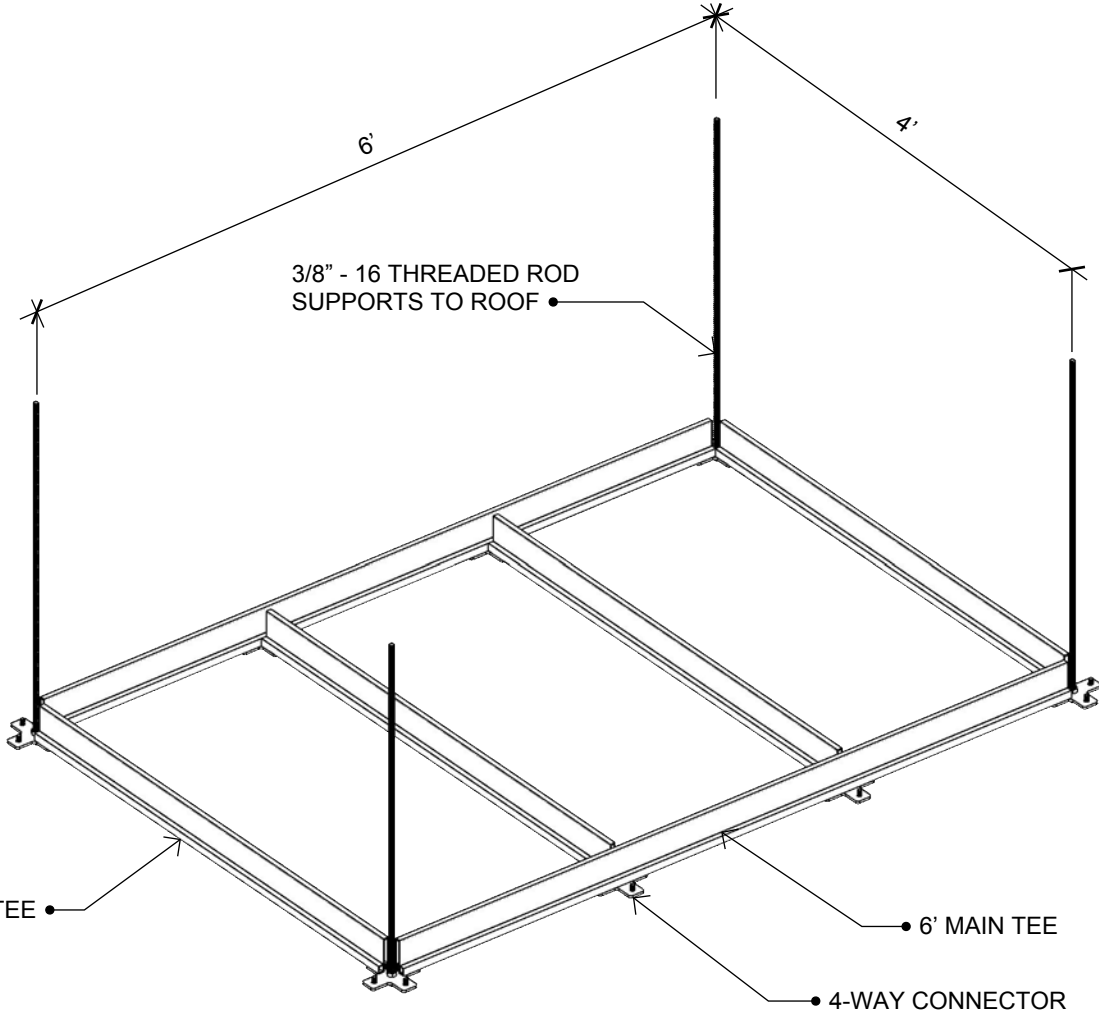
POLARGY

DATE CREATED  
November 13, 2019

LAST MODIFIED  
November 14, 2019

LOCATION  
Sunnyvale, CA, USA

PROJECT NAME  
**Polargy Integrated  
Ceiling System  
Architectural Views**



6

**POLARGY STRUCTURAL CEILING GRID**

3/4" = 1' 0"