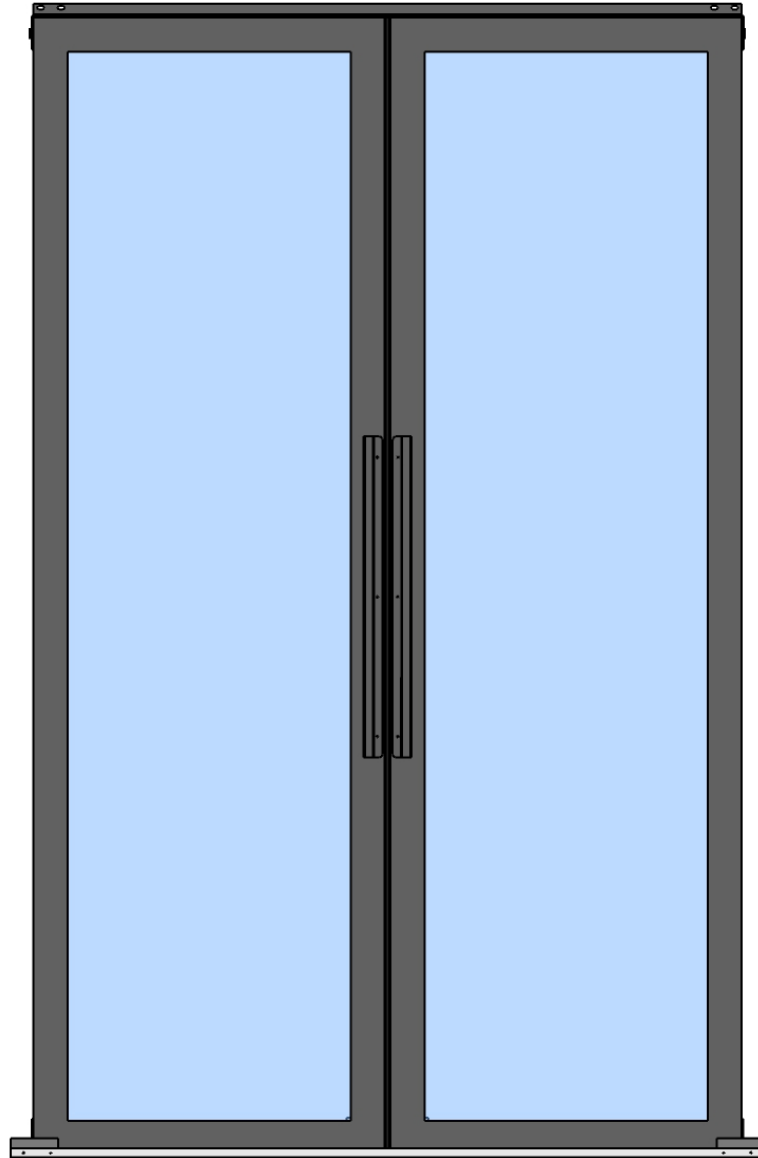




# PolarSlide™ Sliding Door Installation Guide





# PolarSlide™ Sliding Door Installation Guide

## SAFETY INFORMATION:

- Use caution when using sharp tools when unpacking.
- It is recommended that two or more people be available during the installation of this product.
- Be sure to wear the necessary personal protective equipment while drilling or using power tools.

## What's Included

- PolarSlide™ Sliding Door
- Qty (10), 1/4-20 Hex, Self-Drilling Screws and Washers
- Qty (2), Brackets for alternative attachment methods

## Tools Required

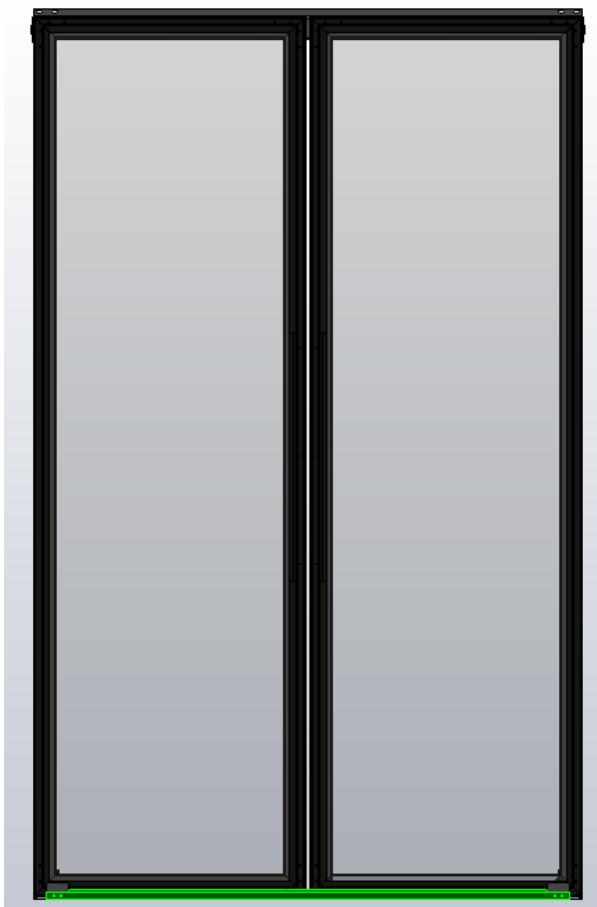
- Powered Drill
- 3/8" Hex Socket
- Phillips Bit (for removing the shipping brace)
- Level
- Tape Measure



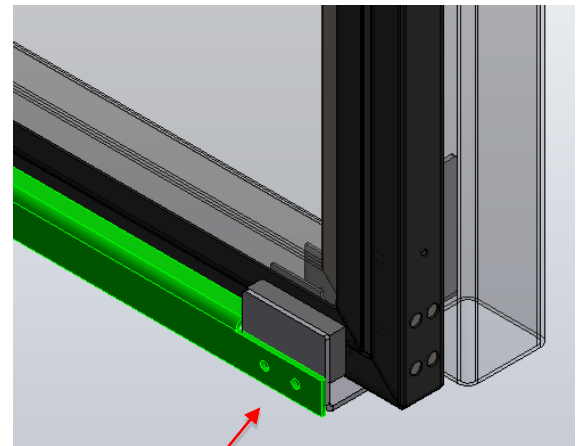
# PolarSlide™ Sliding Door Installation Guide

## STEP 1 | Receiving and Handling

- The PolarSlide™ Door arrives fully assembled.
- The door's polycarbonate inserts come with **protective film** to prevent damage and scratches. Leave this film on until installation is complete.
- The PolarSlide™ Door arrives with a **shipping brace** attached across the frame bottom to maintain correct dimensions and to minimize bending during shipment and installation.
- The shipping brace is attached to the door guides. Do not remove shipping brace until after the door is installed.
- NOTE: Door panels can open and close with shipping brace attached.



*Shipping brace along bottom of door*



Shipping brace is attached to the door guides with two screws

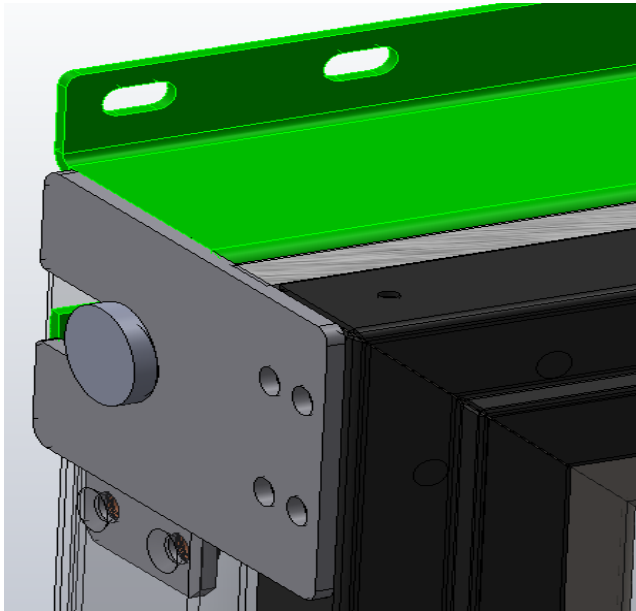


# PolarSlide™ Sliding Door Installation Guide

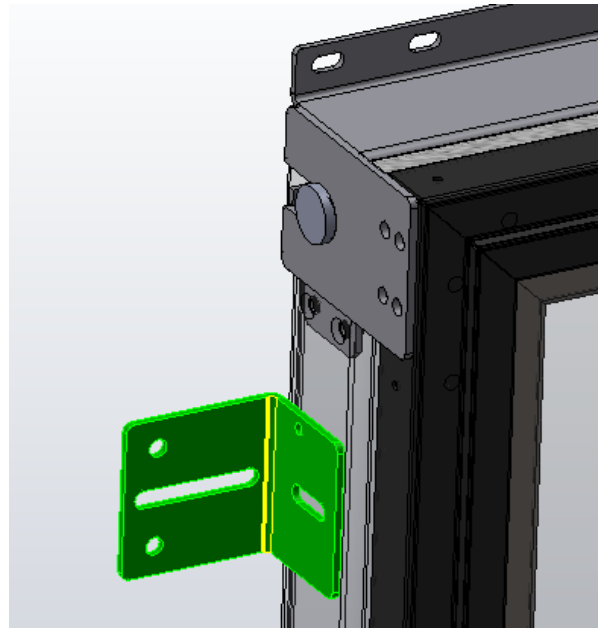
## STEP 2 | Door Top/Header

- Position the door and make sure it is plumb, level and square.
- Primary Attachment: Use slots provided in the header flange and the ¼-20 self-drilling screws to connect header to the racks or supporting infrastructure.
- Alternate Attachment: In the event header slots can't be used, use the screws and the two brackets to attach posts to the racks and/or supporting infrastructure.

*NOTE: Do not drill into header (top 2" of the frame), this will interfere with self-closer.*



*Primary attachment method*



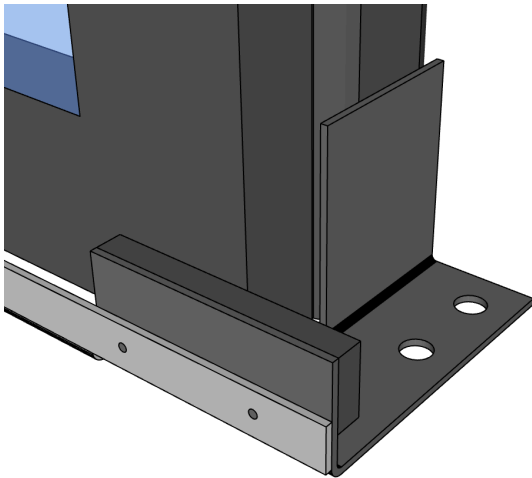
*Alternate attachment method*



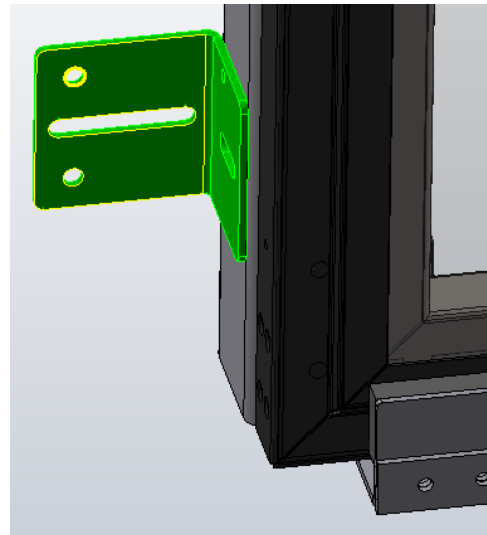
# PolarSlide™ Sliding Door Installation Guide

## STEP 3 | Door Bottom/Floor Bracket

- The PolarSlide™ Door has bottom footpad mounting holes for easy floor attachment. Connect door to the floor using the ¼-20 screws.
- Measure door diagonally to ensure the frame is still square before fastening to the floor. Make any adjustments if needed.
- Primary Attachment: Use the ¼-20 self-drilling screws to make floor connection.
- Alternate Attachment: Use the ¼-20 screws and two brackets to attach posts to the racks and/or supporting infrastructure.
- Remove the Shipping Brace.
- Remove the protective film from polycarbonate inserts.



*Primary attachment method*



*Alternate attachment method*