



POLARGY

# **PolarPlex™ P2 Single Sliding Door Installation Guide**

Revision 7

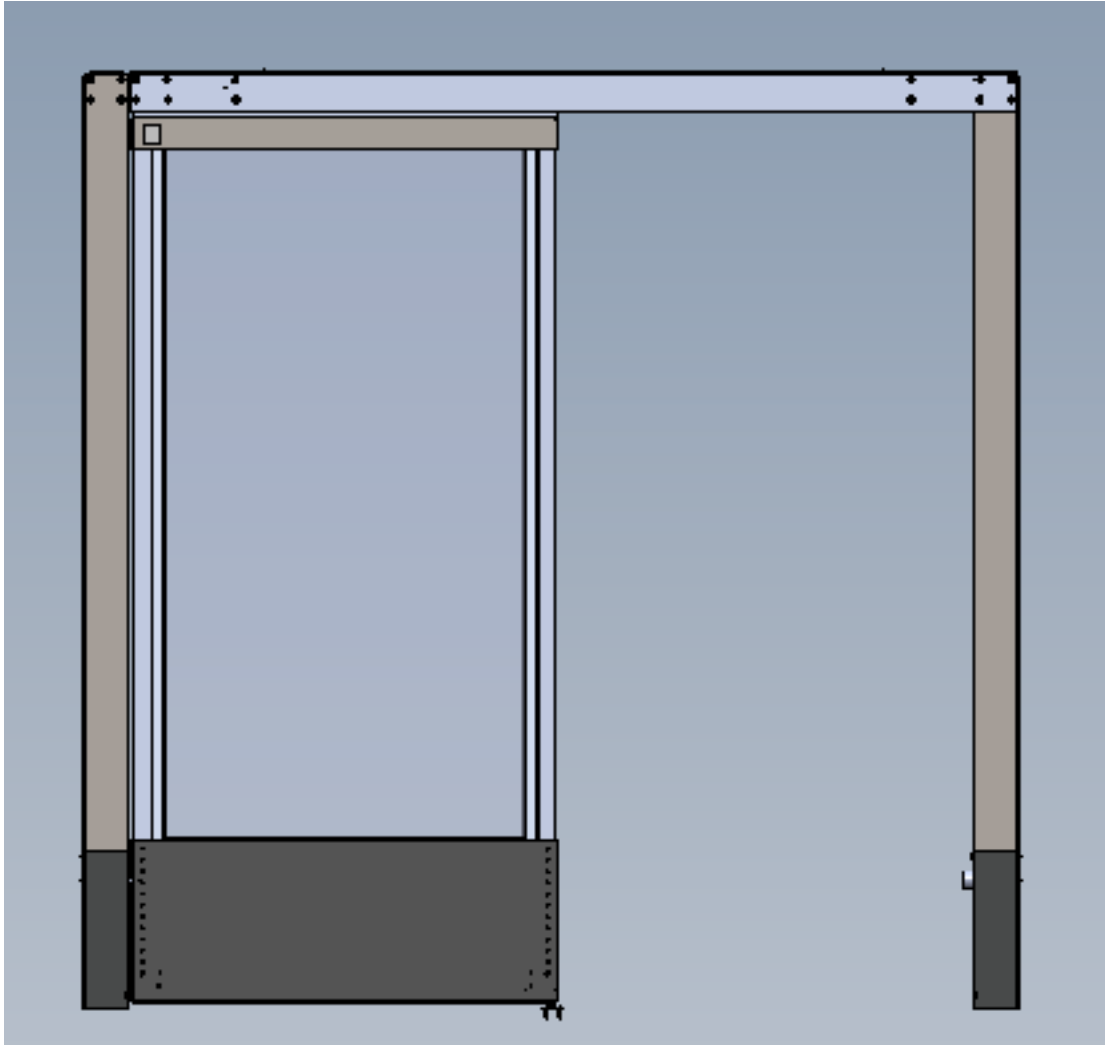
**Polargy, Inc.**  
256 Gibraltar Drive, Suite 106  
Sunnyvale, CA 94089  
888.816.8338  
[www.polargy.com](http://www.polargy.com)



# PolarPlex™ P2 Sliding Door Installation Guide

## P2 Sliding Door Overview

The PolarPlex™ P2 Sliding Door is an adjustable height aisle end containment door. There are two models, the dual closing 54" door and the single sided 37.5" door. The door has an automatic close feature and is adjustable in heights from 79" to 89". Height adjustments are made by extending the vertical support legs and by adjusting the bottom section of the door itself.



P2 Single Sided Sliding Door

## Tools Required

- 5/32" hex wrench for flange button heads screws and flat head screws
- 1/8" hex wrench for set screws
- Small philips head screwdriver for adjustable door and extender panel screws
- Drill and other tools for making floor and rack attachments

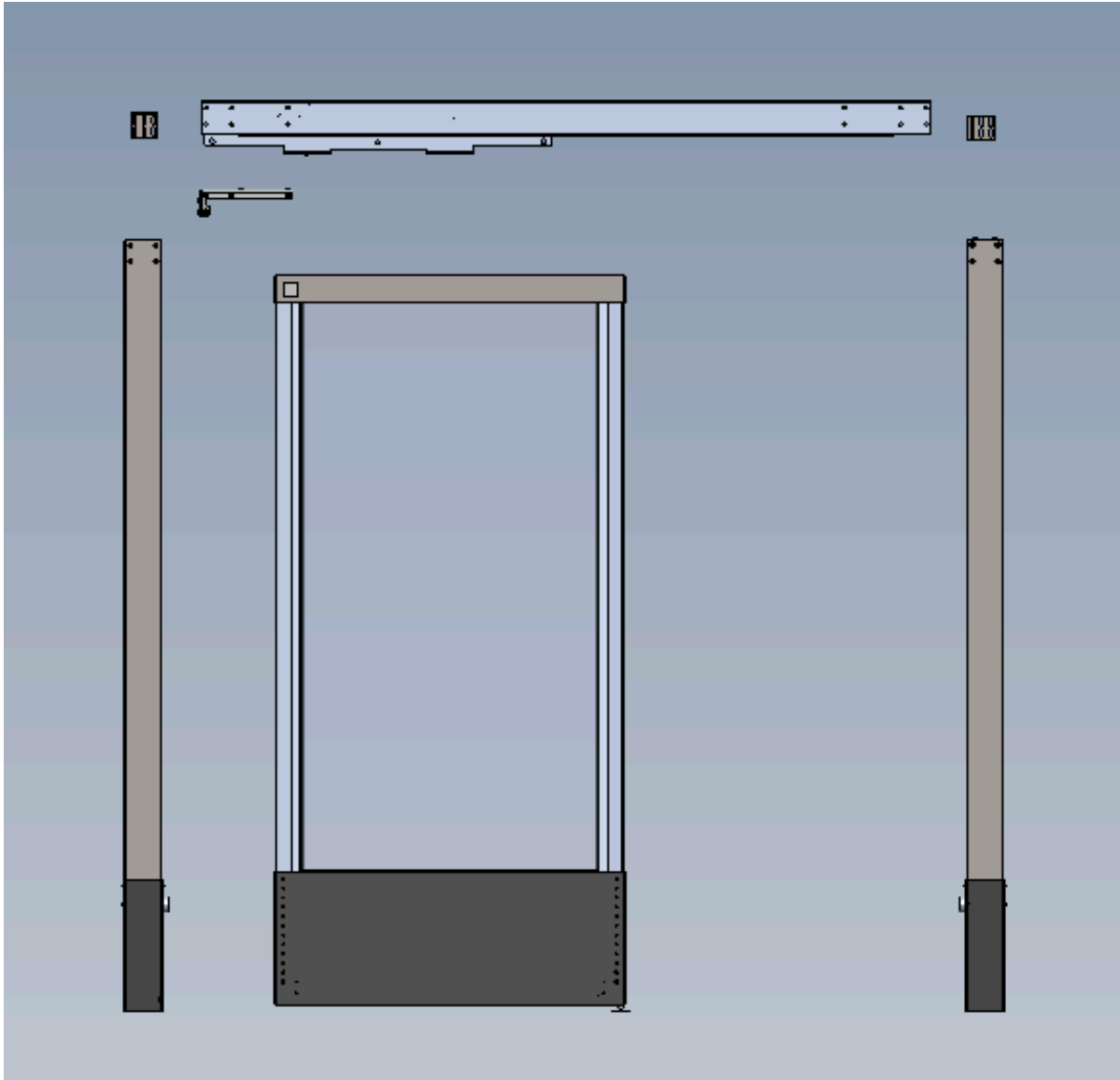


# PolarPlex™ P2 Sliding Door Installation Guide

## Component Overview

The sliding door assembly comes boxed and is comprised the following basic components:

1. Horizontal Header Track Assembly (1 piece)
2. Vertical Support Posts (2 posts)
3. Half-Coupler
4. Sliding Door Assemblies (1 door)
5. Hardware Kit (Roller guide, gasket, brush grommet, brackets, screws)

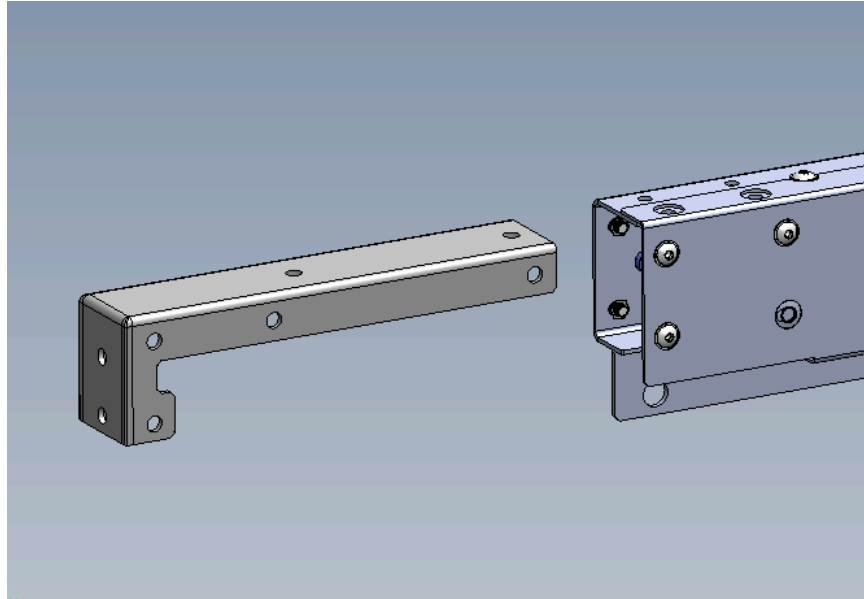




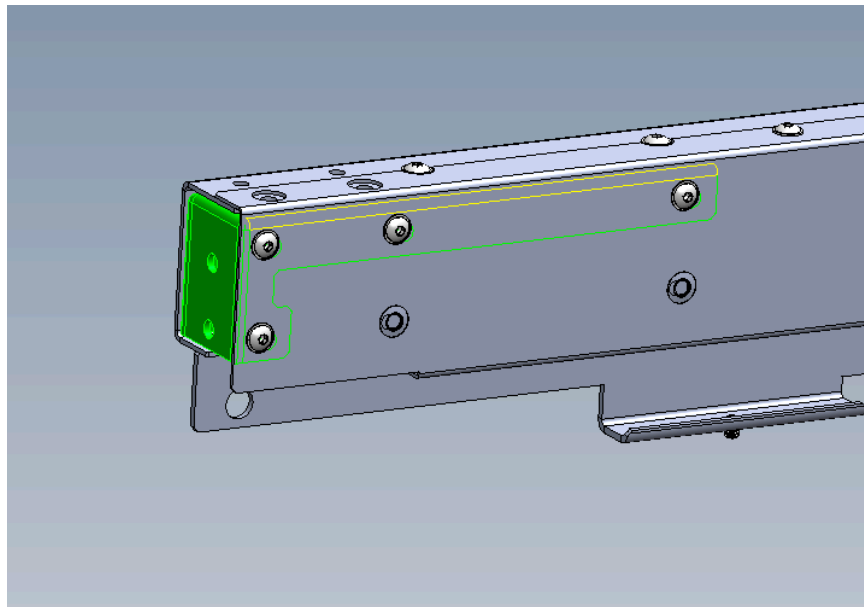
# PolarPlex™ P2 Sliding Door Installation Guide

## Installation Steps

- 1) Connect the two Header Track Assembly to the Half Coupler using flange button head screws and washers.



Exploded Header Track and Half Coupler

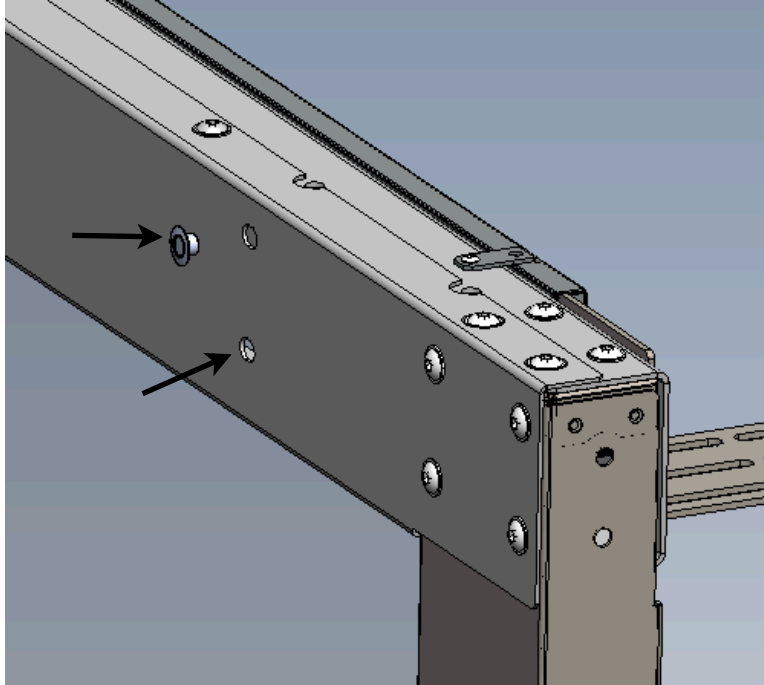


Half Coupler is Flush to End of Header



## PolarPlex™ P2 Sliding Door Installation Guide

2) Install Cap Plugs into unused header holes.

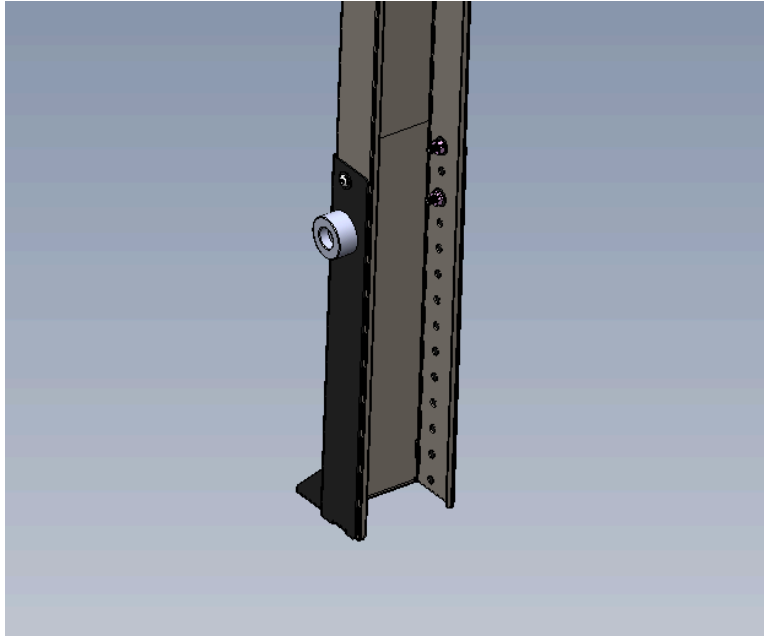




## PolarPlex™ P2 Sliding Door Installation Guide

### 3) Set The Height of the Vertical Support Posts

The vertical support posts are shipped in the lowest position which gives an inside frame opening height of 78.9" and an external frame height of 82.5". Adjust the vertical support footer to create the desired height. Make sure the rubber stops on the Vertical Support Posts are facing inward when they are attached to the Header Track.

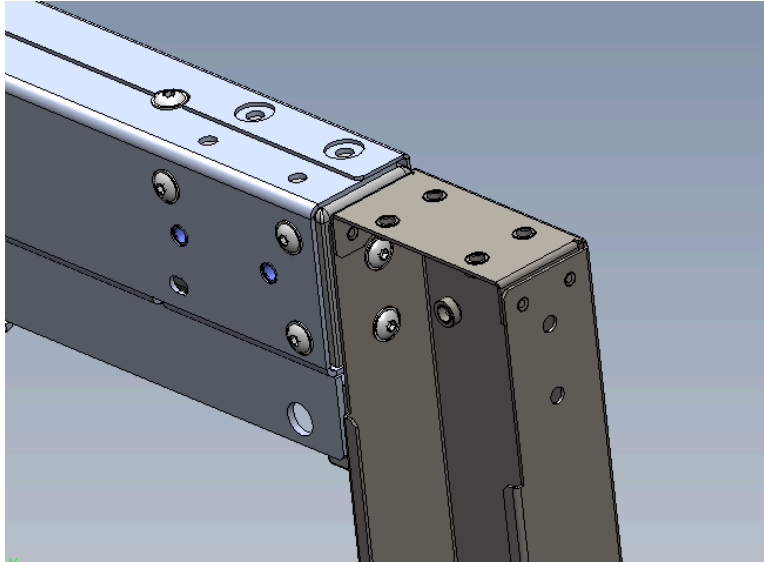




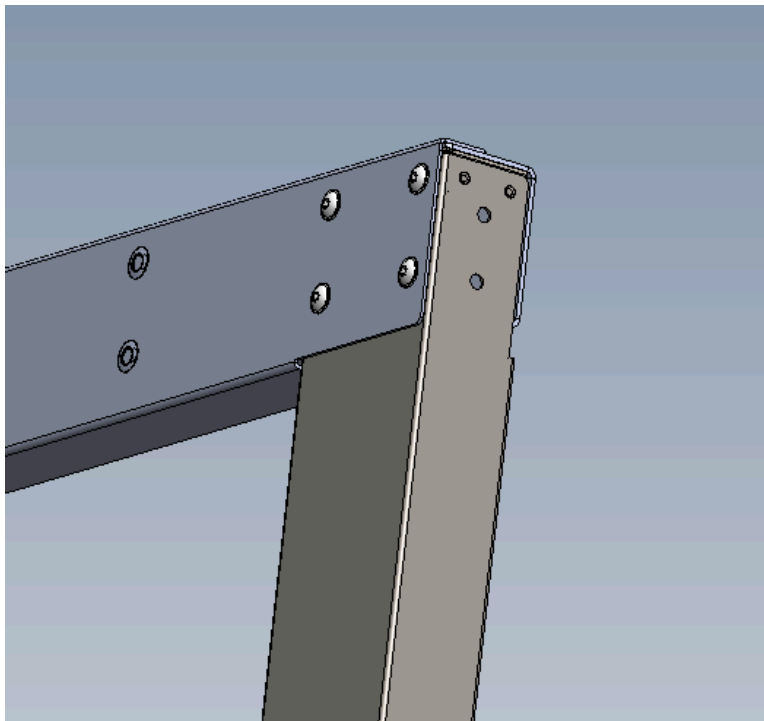
## PolarPlex™ P2 Sliding Door Installation Guide

4) Attach the Vertical Support Posts to the Header Track.

First attach the first Vertical Support Post that is opposite the Half-Coupler.



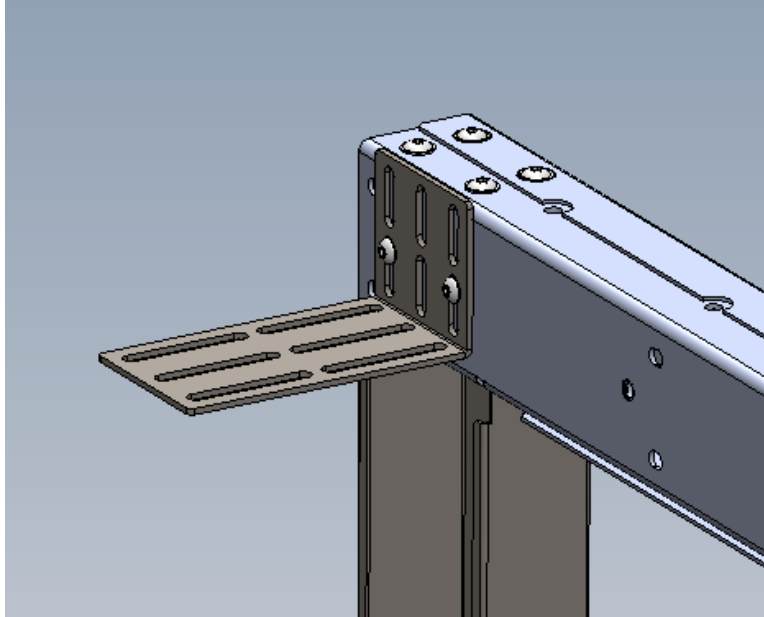
Then attach the other Vertical Support Post. The header needs to be tilted about 45 degrees, then slide the vertical post partially into the header, then tilt the header back flat and push the post in the remaining inch or so. Then secure with flange button head screws.





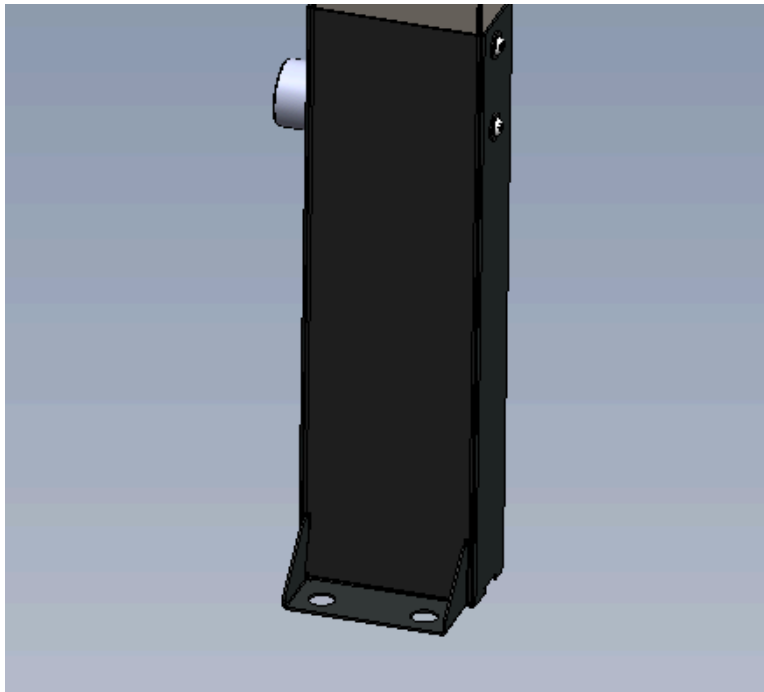
## PolarPlex™ P2 Sliding Door Installation Guide

5) Attach the brackets to the Header/Vertical Support Posts



**Bracket is Slotted for Adjustment**

6) Secure the Vertical Support Post feet to the floor with hardware (not provided) as needed for the floor type and conditions.



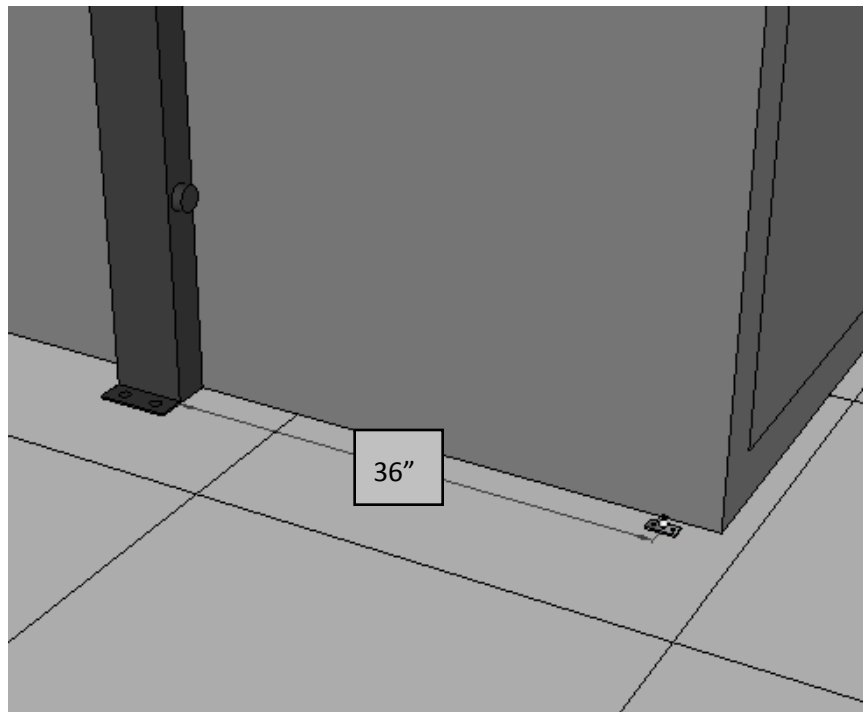
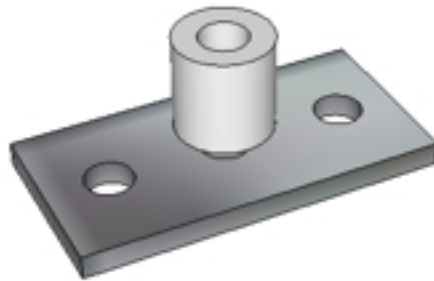




## PolarPlex™ P2 Sliding Door Installation Guide

7) Secure the Roller Guide to the floor.

Place the roller guide inline with the door center-line and at approximately 36" from the inside vertical post to the center to the roller. If floor is not level, guide may require shimming to insure roller engages bottom of door track.

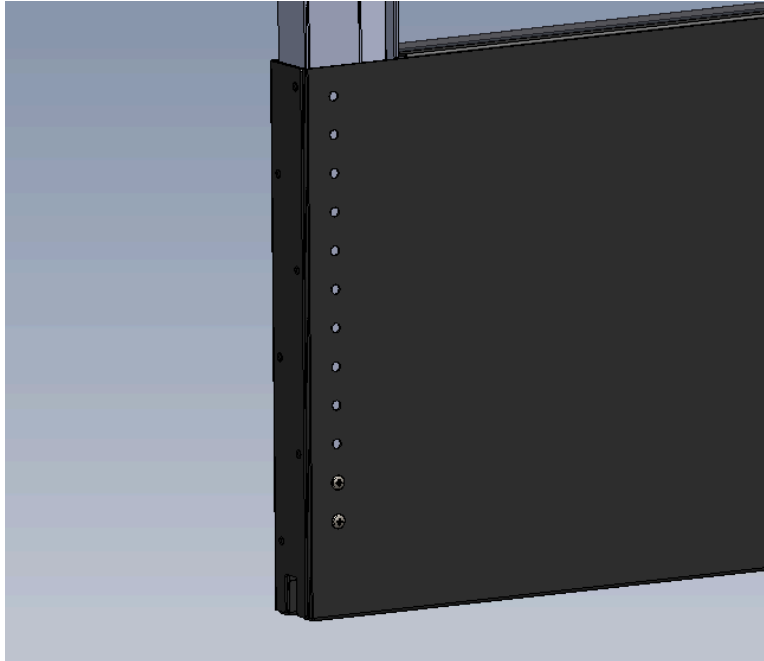




## PolarPlex™ P2 Sliding Door Installation Guide

8) Adjust the height of the door.

The door is delivered in the shortest setting. To extend the door, simply remove the screws, slide the bottom piece to the desired location and re-attach the screws.

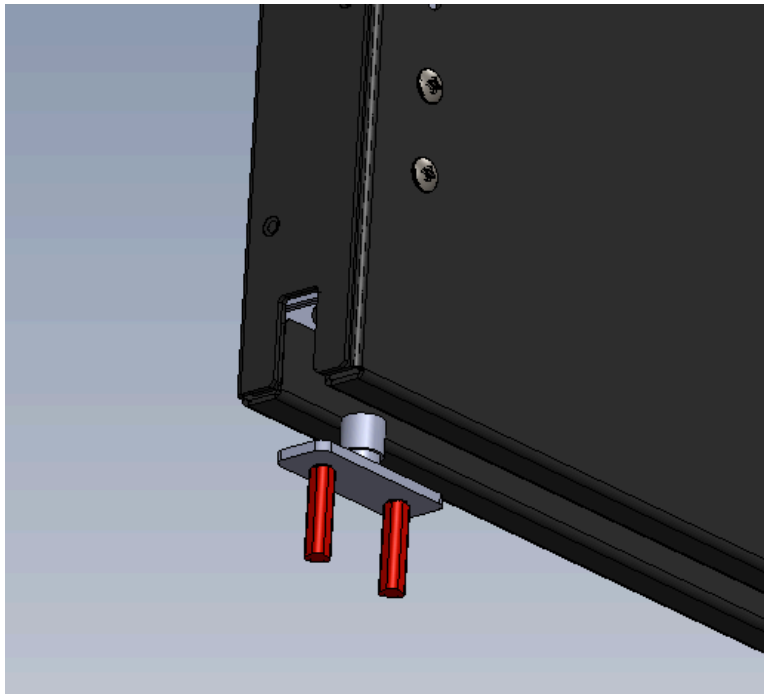
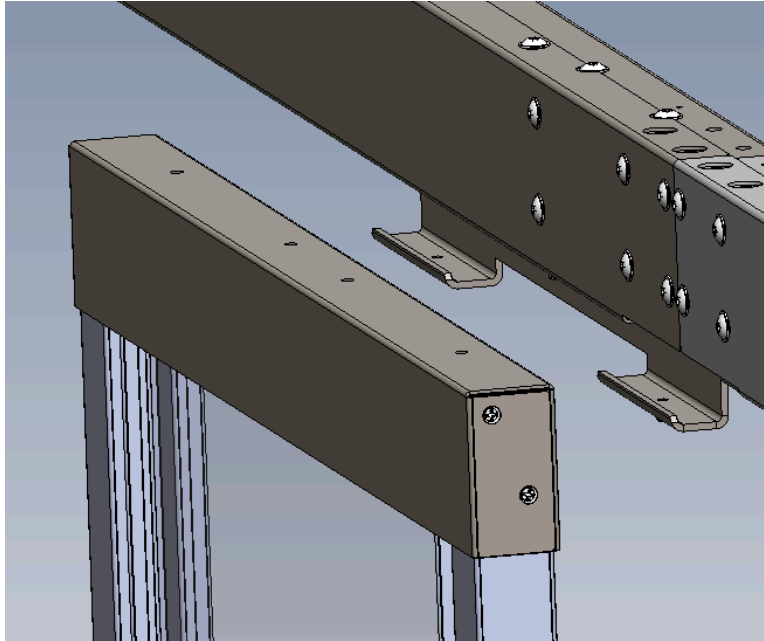




## PolarPlex™ P2 Sliding Door Installation Guide

9) Attach the Door to the Header.

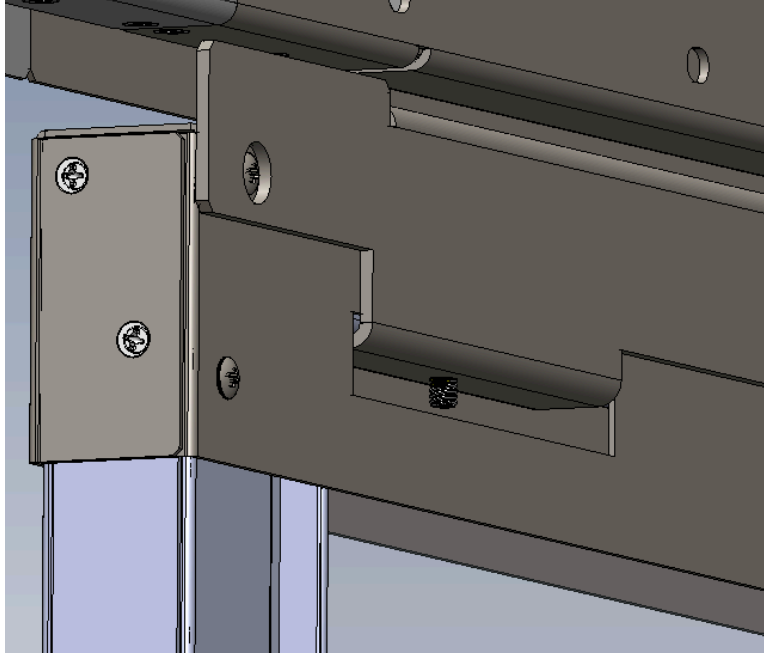
Match the door slots to the carriage hooks; place the door onto the hooks while simultaneously positioning bottom door gap over roller. Confirm the door slides back and forth smoothly.



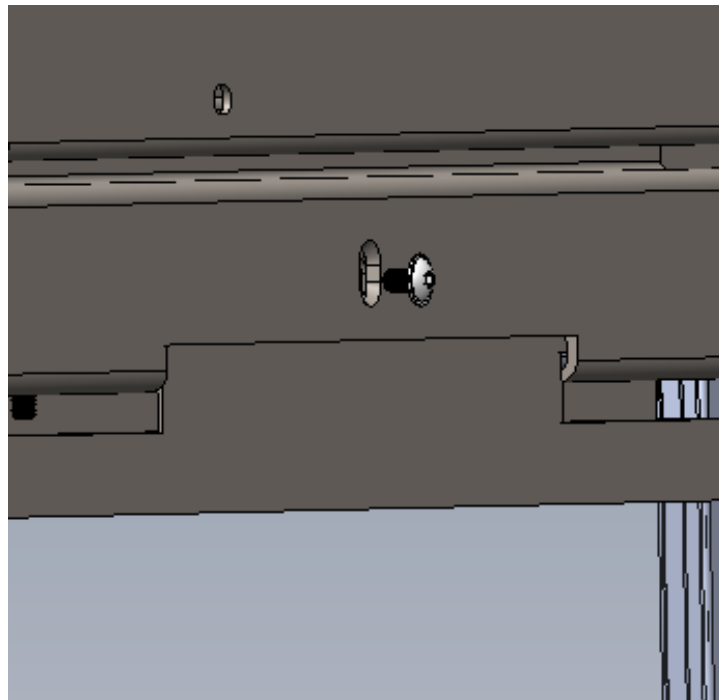


## PolarPlex™ P2 Sliding Door Installation Guide

10) Level, if necessary, with set screw using 1/8" hex wrench.



11) Secure with button head screw using 5/32" hex wrench.





## PolarPlex™ P2 Sliding Door Installation Guide

### 12) Attach Seal Gasket

Attach the gasket to the inside edge of the door. Run gasket the entire length of door.

