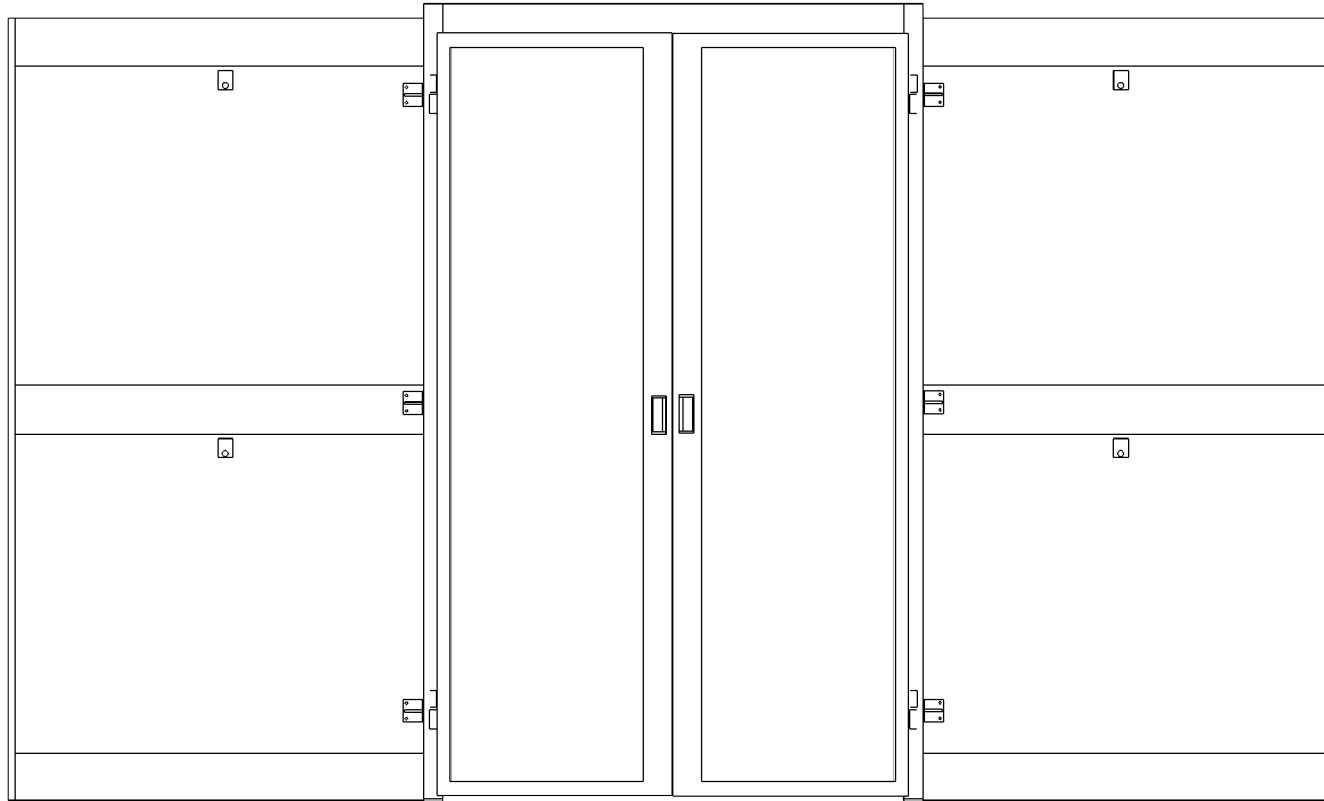


P2 Dual Swing Door Installation Guide



Installation Instructions:

- Step #1 Assemble frame by attaching the two vertical legs to the header.
- Step #2 Install left and right door on pre-installed hinges.
- Step #3 Install angle brackets. Ensure doors and vertical legs are square and level.
- Step #4 Attach footpads to floor.



PRODUCT NAME
P2 Dual Swing Door
Installation Guide
Rev B

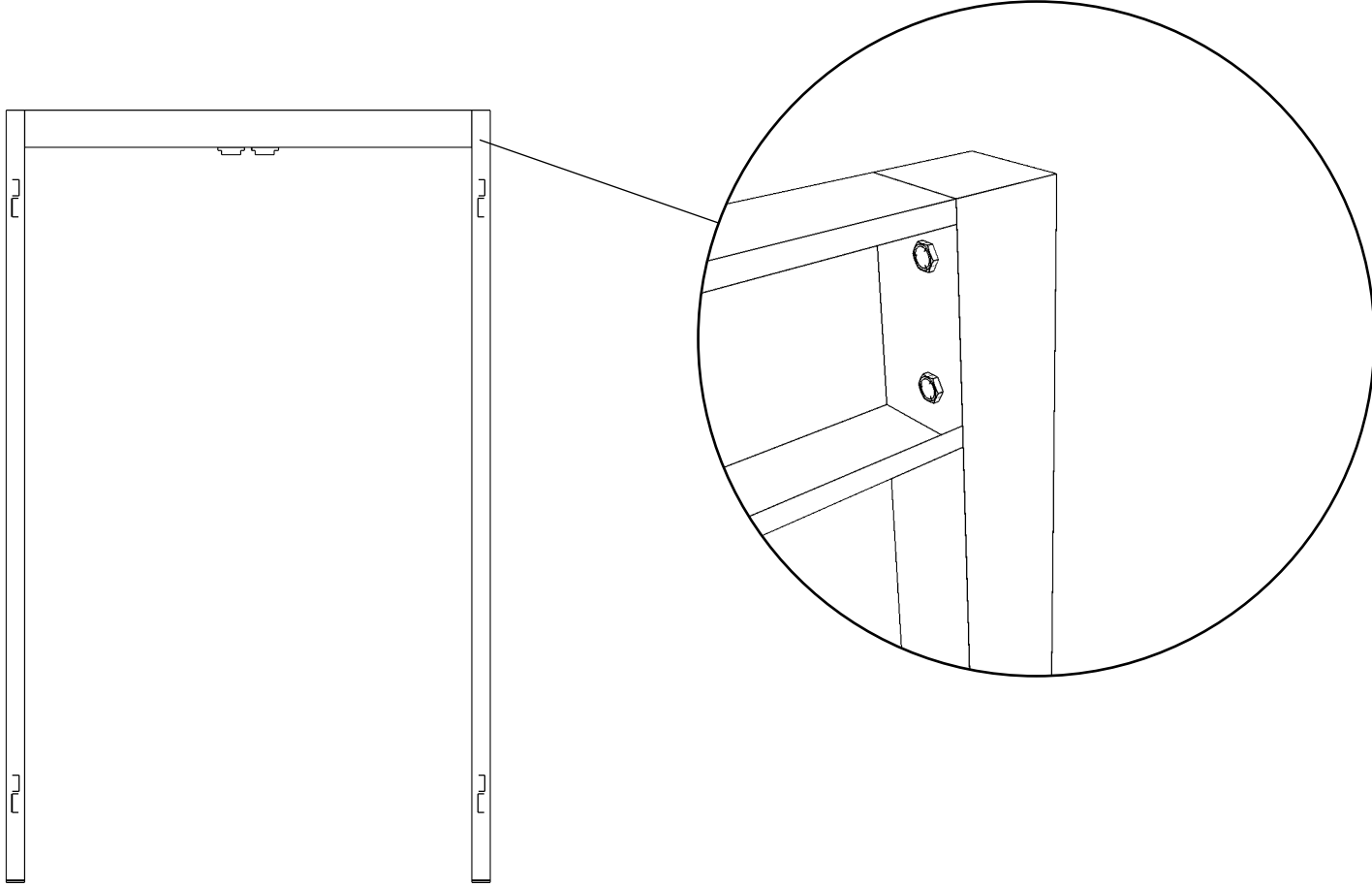
CREATED
May 31, 2016
MODIFIED
Sep,20,2017

POLARGY, INC.
256 Gibraltar Drive, Suite 106
Sunnyvale, CA 94089

PX

01

Step #1 Assemble frame by attaching the two vertical legs to the header with four 10-32 Screws.



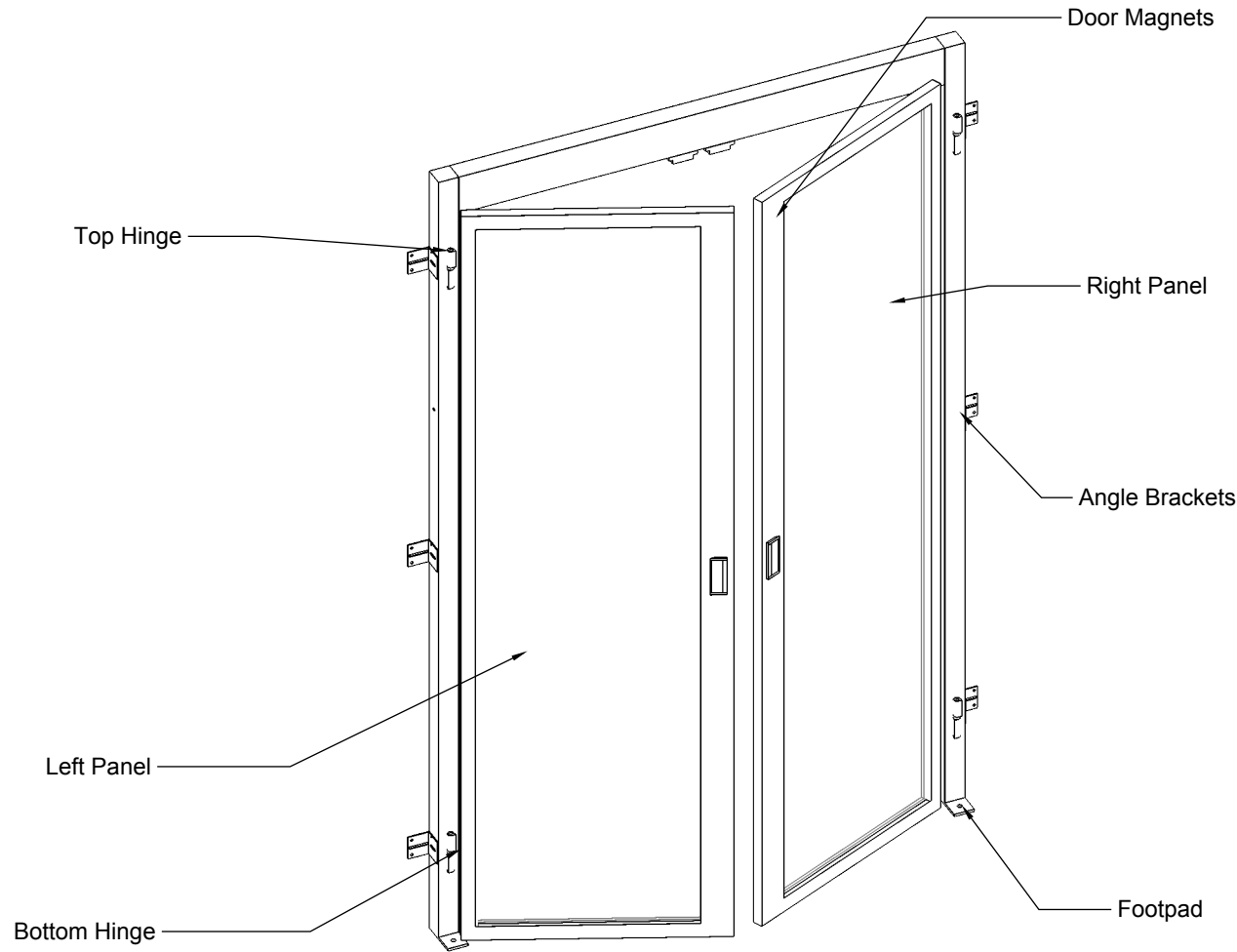
PRODUCT NAME
**P2 Dual Swing Door
Installation Guide
Rev B**

CREATED
May 31, 2016
MODIFIED
Sep,20,2017

POLARGY, INC.
256 Gibraltar Drive, Suite 106
Sunnyvale, CA 94089

PX

Step #2 Install left and right door on pre-installed hinges. Ensure door align and engage to door magnets. Adjust if necessary.



- Step #3 Install angle brackets. Ensure doors and vertical legs are square and level.
Hardware for attaching bracket to vertical leg provided with door.
Hardware for attaching bracket to rack or other structure by installer.
- Step #4 Attach footpads to floor. Hardware by installer.



POLARGY

PRODUCT NAME
P2 Dual Swing Door
Installation Guide
Rev B

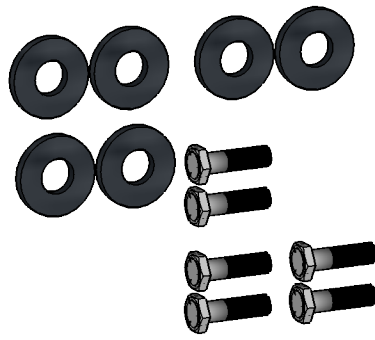
CREATED
May 31, 2016
MODIFIED
Sep,20,2017

POLARGY, INC.
256 Gibraltar Drive, Suite 106
Sunnyvale, CA 94089

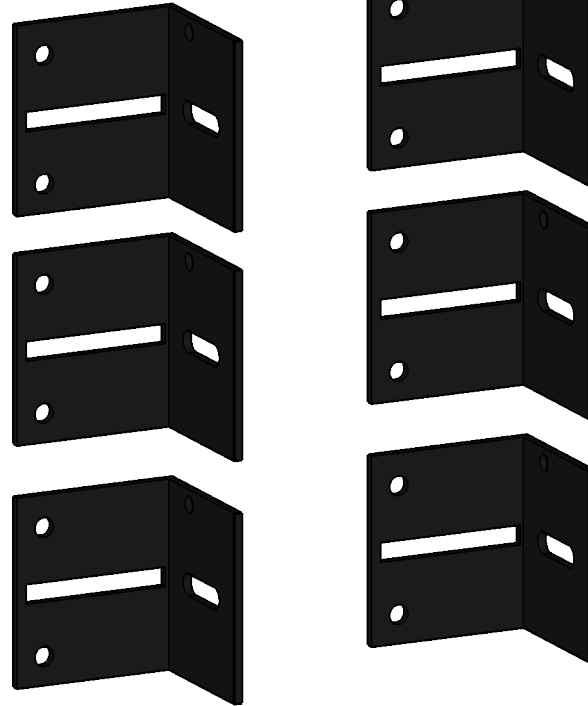
PX

03

Kit of Parts

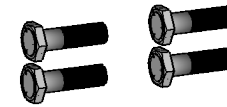


HARDWARE FOR BRACKET
TO LEG ATTACHMENT



ANGLE BRACKETS

BOLTS FOR HEADER



PRODUCT NAME
**P2 Dual Swing Door
Installation Guide
Rev B**

CREATED
May 31, 2016
MODIFIED
Sep,20,2017

POLARGY, INC.
256 Gibraltar Drive, Suite 106
Sunnyvale, CA 94089

PX