



**POLARGY**

**PX Dual Sliding Door  
Technical Drawing V6**

PRODUCT NAME

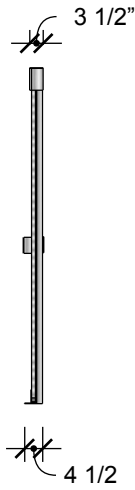
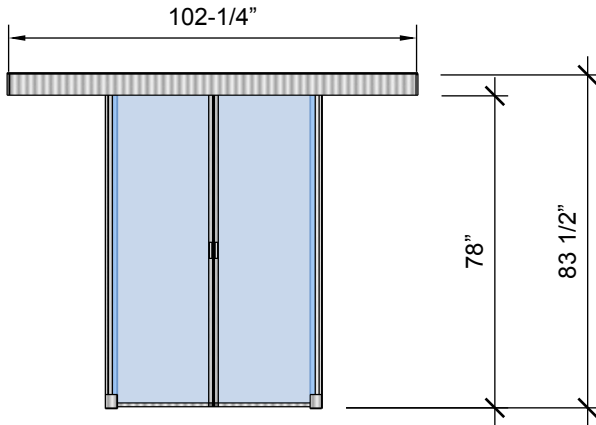
PUBLISHED  
November 2, 2016

MODIFIED  
November 2,

POLARGY, INC.  
256 Gibraltar Drive  
Sunnyvale, CA 94089

**PX**

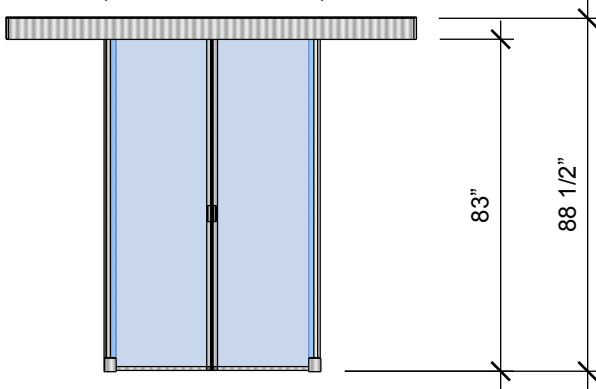
01



**42U CABINETS**

Part Numbers  
PX3SDSAC42  
PX3SDSTW42  
PX3SDSFM42

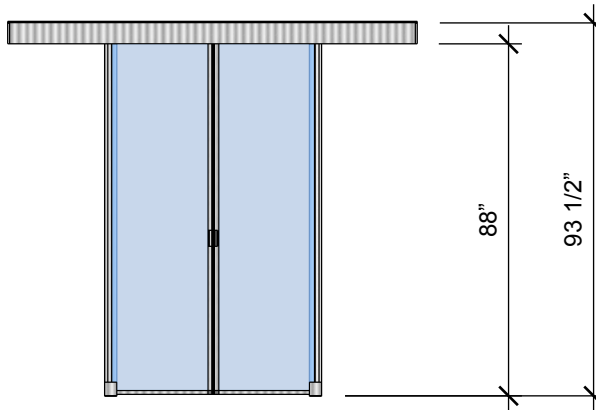
Clear Insert  
Twinwall Polycarbonate Insert  
CPVC FM4910 Insert



**45U CABINETS**

Part Numbers  
PX3SDSAC45  
PX3SDSTW45  
PX3SDSFM45

Clear Insert  
Twinwall Polycarbonate Insert  
CPVC FM4910 Insert



**48U CABINETS**

Part Numbers  
PX3SDSAC48  
PX3SDSTW48  
PX3SDSFM48

Clear Insert  
Twinwall Polycarbonate Insert  
CPVC FM4910 Insert

**PX Dual Sliding Doors include:**

- Auto Close
- Hold Open
- 48" Inside Opening
- Packaging Dimensions: 104-1/4" x 38-3/4" x 6-1/4"
- Weight: 95lbs-105lbs