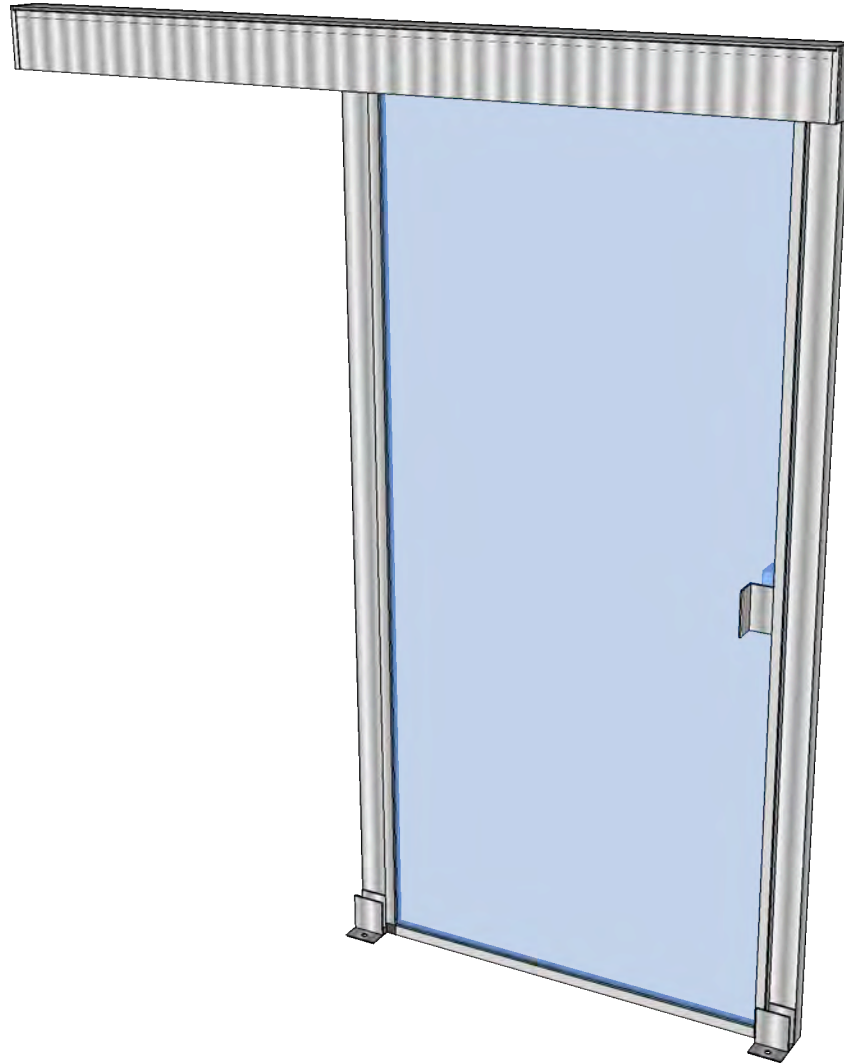


PX Single Sliding Door, Installation Guide



POLARGY

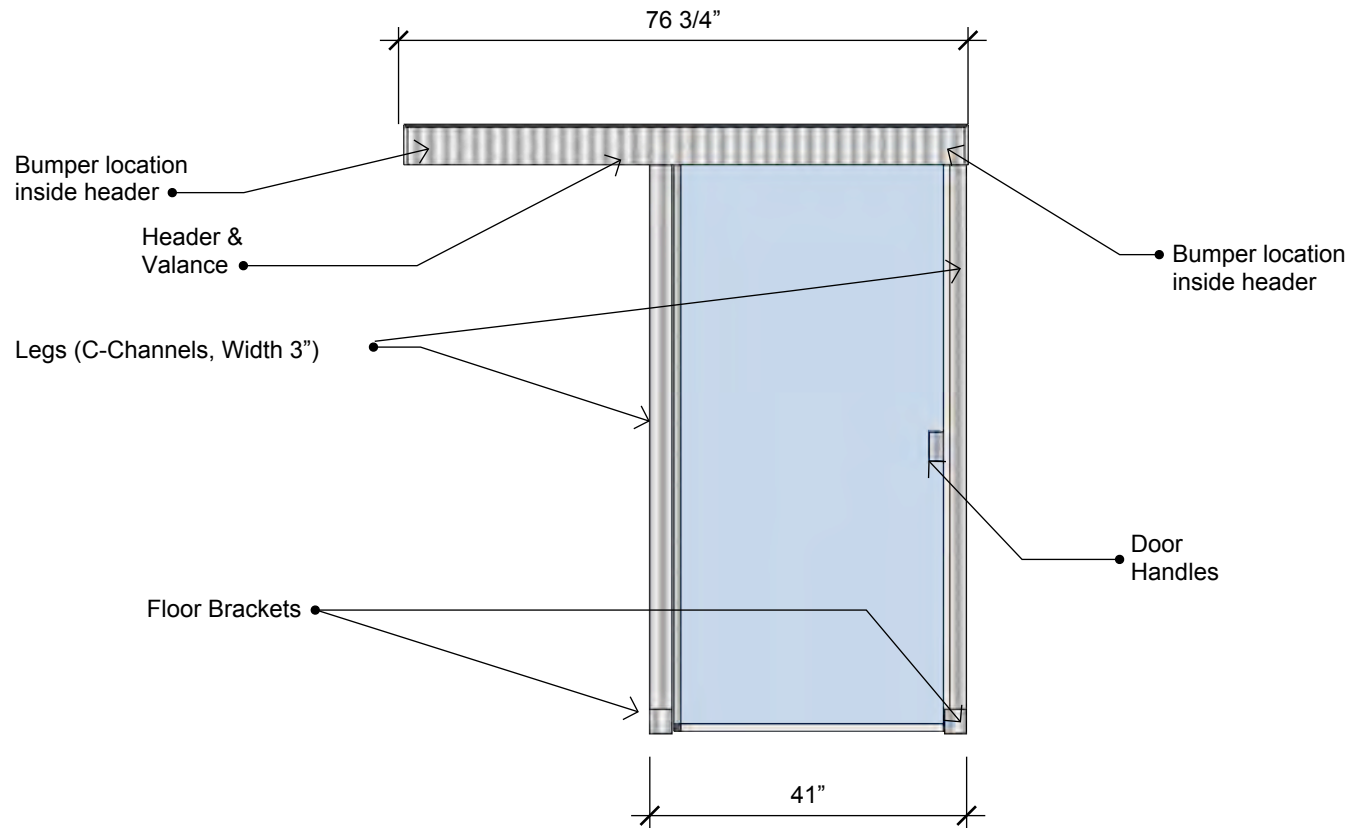
PRODUCT NAME
**PX Single Sliding Door,
Installation Guide REV
A**

CREATED
July 23, 2016

MODIFIED
July 20, 2016

POLARGY, INC.
256 Gibraltar Drive, Suite 106
Sunnyvale, CA 94089

PX



Installation Instructions:

- Step #1 Attach legs to valance header with hardware provided.
- Step #2 Bring door frame to the vertical position with temporary/supplemental support
- Step #3 Create temporary anchoring to the racks. Ensure door frame is leveled.
- Step #4 Install door w/o handles. Ensure door slides freely.
- Step #5 Attach floor brackets. Make sure door slide freely through floor brackets.
- Step #6 Attach header to the racks using L-brackets provided.
- Step #7 Install front and back handles on the door.
- Step #8 Install bumper on the header.
- Step #9 Install end-caps.
- Step #10 Check to make sure there is no gap where doors meet legs. Adjust if necessary.

Note: Valance is removable if adjustments to the door are necessary after installation.



POLARGY

PRODUCT NAME
**PX Single Sliding Door,
 Installation Guide REV
 A**

CREATED
 July 23, 2016

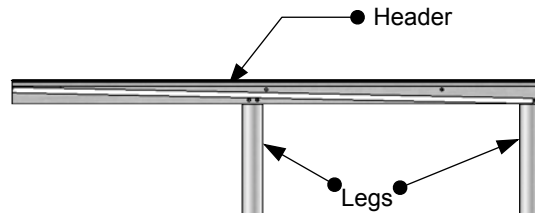
MODIFIED
 July 20, 2016

POLARGY, INC.
 256 Gibraltar Drive, Suite 106
 Sunnyvale, CA 94089

PX

02

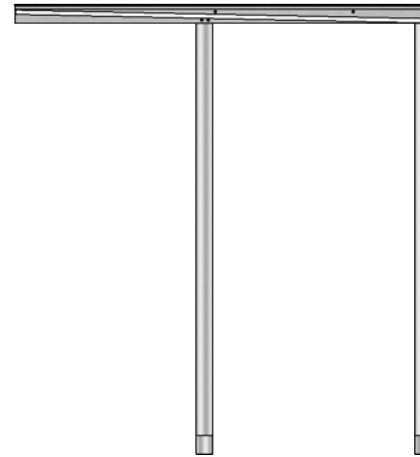
Step #1 Attach each leg to the header.



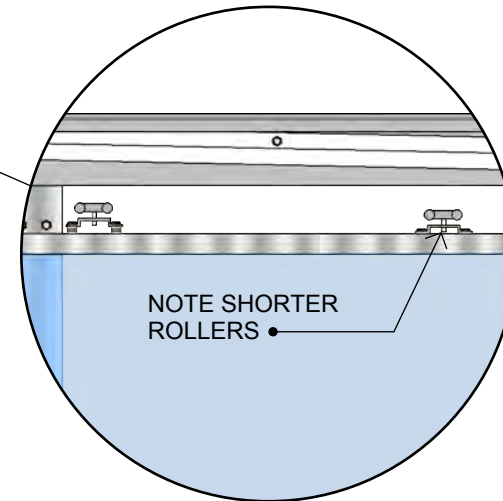
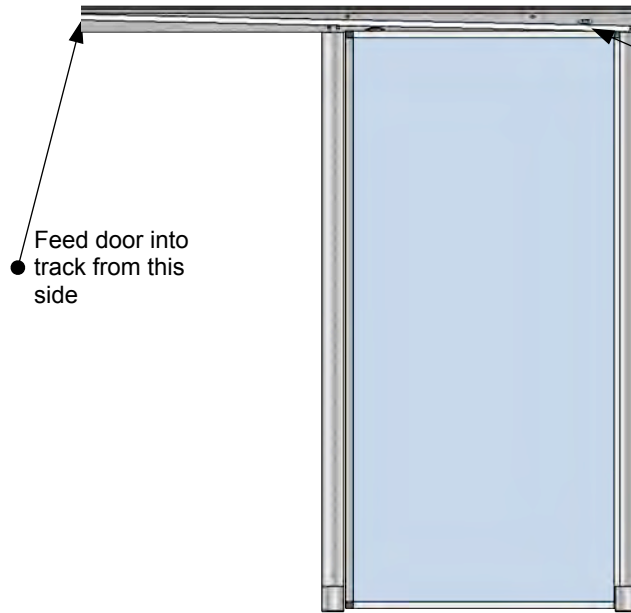
Step #2 Bring frame to the vertical position with temporary/ supplemental support.

Step #3 Create temporary anchoring to the racks. Ensure structure is leveled.

Note: Temporary and or supplemental methods are not shown.



Step #4 Slide door into the track from side of header. Make sure lower height rollers slide in first. Do not install handles yet.



POLARGY

PRODUCT NAME
**PX Single Sliding Door,
Installation Guide REV
A**

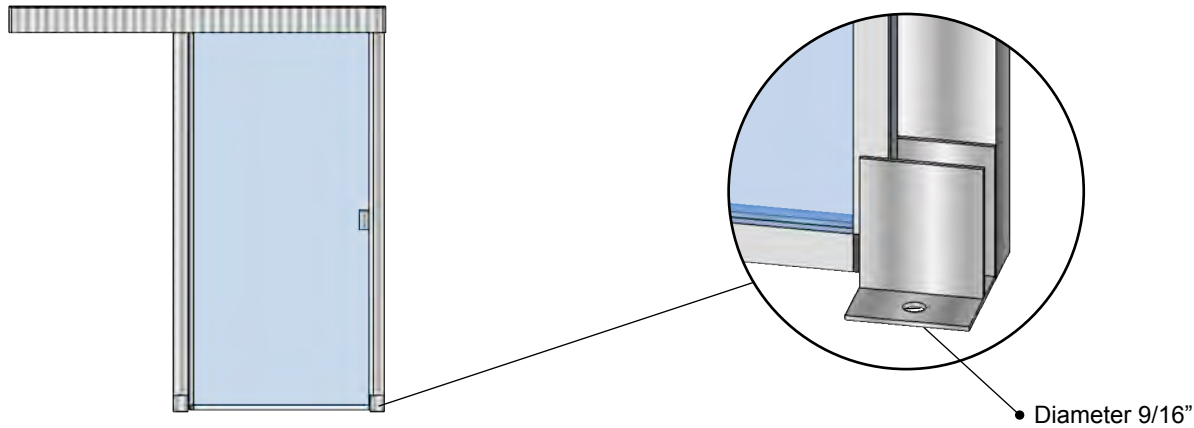
CREATED
July 23, 2016
MODIFIED
July 20, 2016

POLARGY, INC.
256 Gibraltar Drive, Suite 106
Sunnyvale, CA 94089

PX

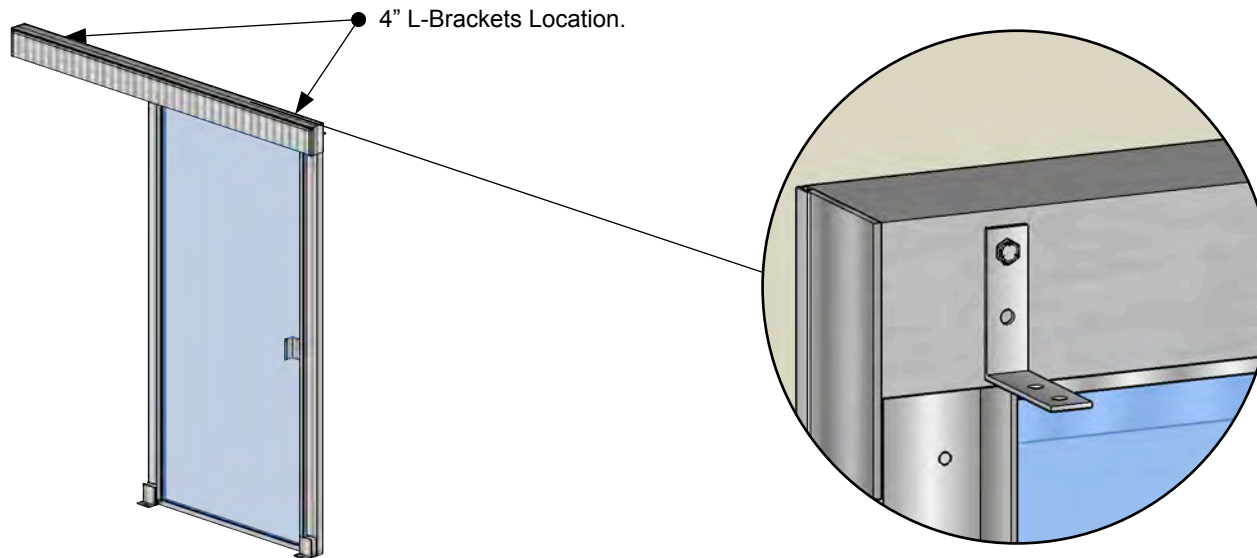
03

Step #5 The floor brackets, which come attached to the legs, need to be fastened to the floor. Note: Ensure doors slide freely through brackets. Adjust legs forward or backward as needed to allow smooth sliding.



Step #6 Attach header to the racks using L-brackets provided. A hole needs to be drilled in the desired location on the back of the header for the L-bracket. It is recommended to place the L-bracket no more than 12" from the outside edge of the header.

Note: If not attaching to racks, then place L-bracket as needed to attach to unistrut or other support system.



POLARGY

PRODUCT NAME
**PX Single Sliding Door,
Installation Guide REV
A**

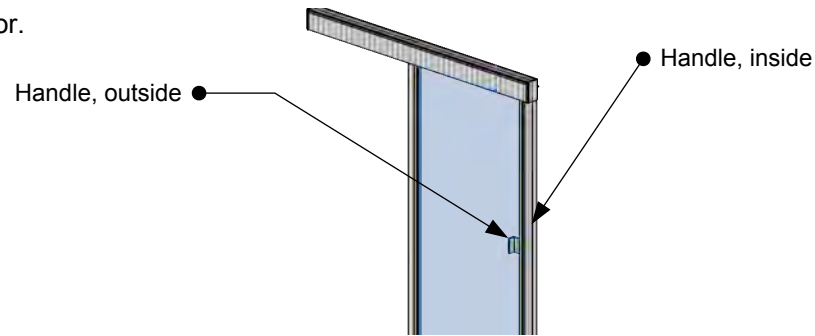
CREATED
July 23, 2016
MODIFIED
July 20, 2016

POLARGY, INC.
256 Gibraltar Drive, Suite 106
Sunnyvale, CA 94089

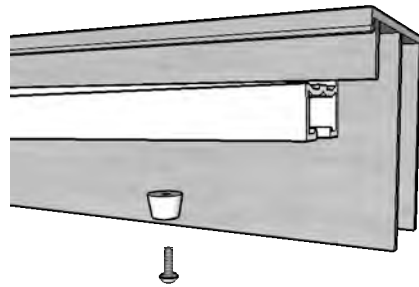
PX

04

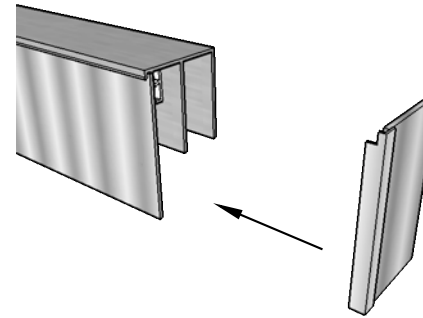
Step #7 Install two handles on the door.



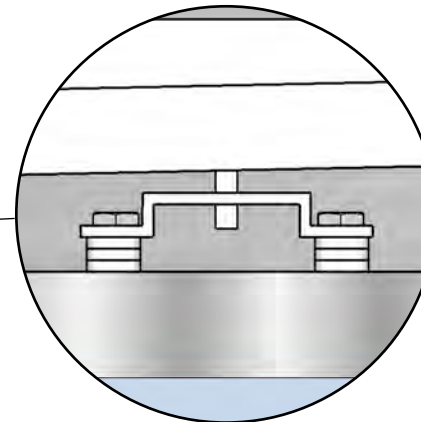
Step #8 Install bumper on the header track to prevent door from coming out. The hole for the bumper is pre-drilled. Use #8 self-taping screws to attach bumper



Step #9 Install end caps by pressing them on. Note: The end caps are sided with a left one and right one.



Step #10 Optional. After door is installed, check to make sure there is no gap between door and legs. Adjust the levelness of the doors if necessary. If adjustment is needed, remove valance, which is attached to header with screws. Make adjustments to the roller stem with thin nose pliers while the door is in place. Note: There are spacers pre-installed to adjust and align doors before shipment from factory.



POLARGY

PRODUCT NAME
**PX Single Sliding Door,
Installation Guide REV
A**

CREATED
July 23, 2016

MODIFIED
July 20, 2016

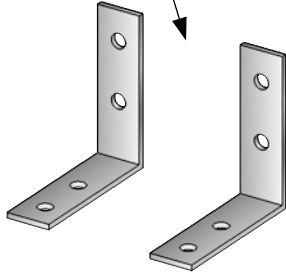
POLARGY, INC.
256 Gibraltar Drive, Suite 106
Sunnyvale, CA 94089

PX

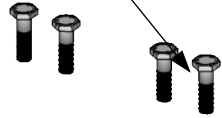
05

Kit of Parts

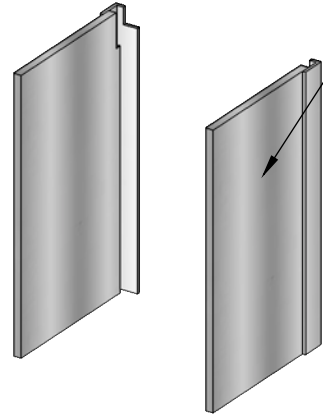
● BRACKETS, NUTS/BOLTS FOR HEADER,
HARDWARE FOR ATTACHMENT TO RACKS
NOT PROVIDED



● BOLTS FOR
LEGS TO HEADER



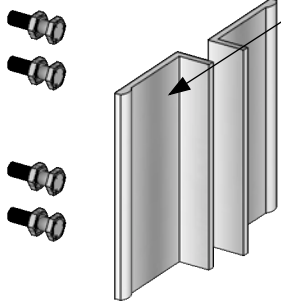
● END CAPS
PRESSURE FIT ONTO
HEADER FACE



● END BUMPER, INSTALL INTO END
OF ROLLER TRACK INSIDE
HEADER.
INSTALL AFTER PUTTING DOOR
ONTO HEADER TRACK



● DOOR HANDELS,
INSTALL AFTER
PUTTING DOORS



POLARGY

PRODUCT NAME

**PX Single Sliding Door,
Installation Guide REV
A**

CREATED

July 23, 2016

MODIFIED

July 20, 2016

POLARGY, INC.
256 Gibraltar Drive, Suite 106
Sunnyvale, CA 94089

PX