



P5 Aluminum PolarSlide™ Single Sliding Door

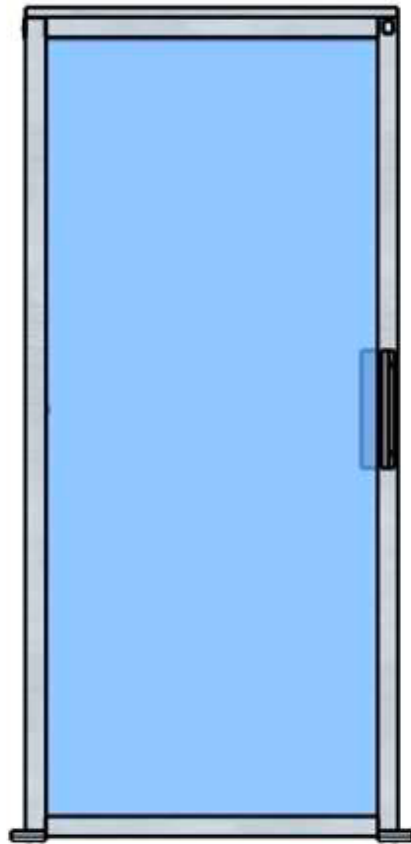
Installation Guide

FILE TYPE
Installation Guide

PRODUCT TYPE
Sliding Door

DATE CREATED
2025

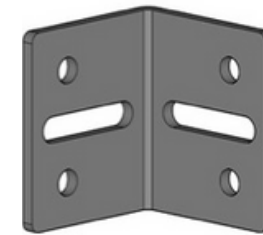
Part List



PolarSlide™ Sliding Door (Qty. 1)



1/4-14 Hex, Self-Drilling
Screws
(Qty. 10)



Alternative
Attachment Brackets
(Qty. 2)



- Use caution when using sharp tools while unpacking.
- Wear the necessary personal protective equipment when using power tools.
- Use two or more people for installation.
- Do NOT grease or oil the slide rails.



P5 Aluminum PolarSlide™ Single Sliding Door

Installation Guide

FILE TYPE
Installation Guide

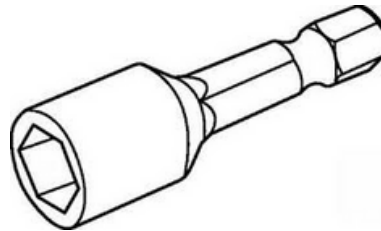
PRODUCT TYPE
Sliding Door

DATE CREATED
2025

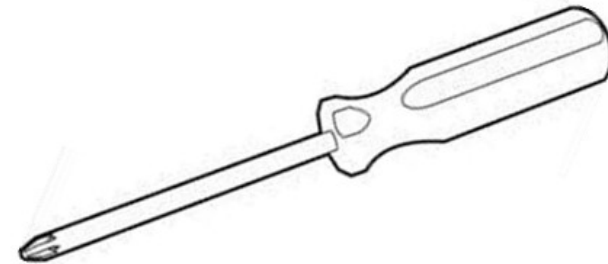
Tools Needed



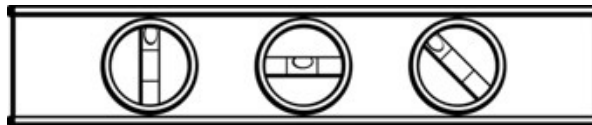
Powered Drill



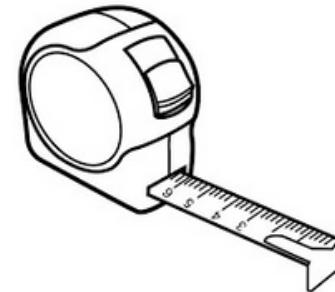
3/8" Hex Socket



Phillips Screwdriver (or bit)



Level



Tape Measure



P5 Aluminum PolarSlide™ Single Sliding Door

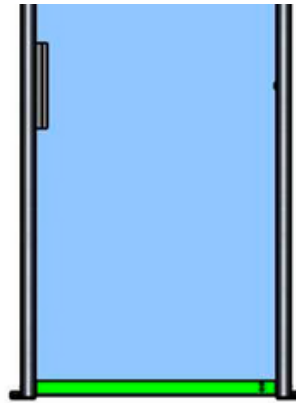
Installation Guide

FILE TYPE
Installation Guide

PRODUCT TYPE
Sliding Door

DATE CREATED
2025

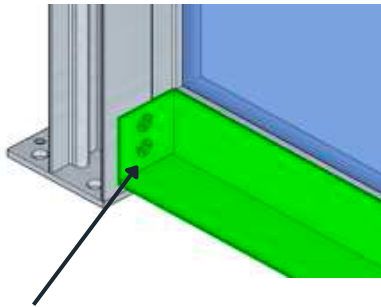
Step 1 – Receiving & Handling



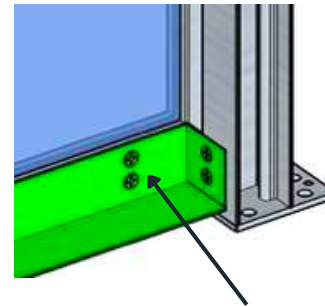
The PolarSlide™ Aluminum Sliding Door comes fully assembled. Leave the following attached until installation is fully complete:

- **Protective Film** over polycarbonate
- **Shrink Wrap** around door handles
- **Shipping Brace**

Shipping brace along bottom back of door.



Shipping brace is attached to the door legs with two screws per side.



Note: P5 single doors will also have two more screws at one end of the shipping brace to secure door panel in place. Only these two screws should be removed prior to installation.



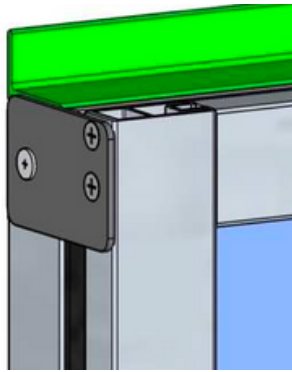
P5 Aluminum PolarSlide™ Single Sliding Door

Installation Guide

FILE TYPE
Installation Guide
PRODUCT TYPE
Sliding Door

DATE CREATED
2025

Step 2A - Typical Attachment

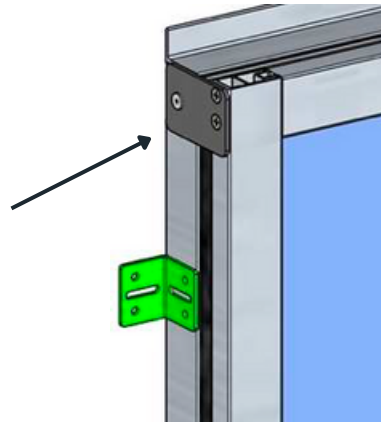


Primary attachment method.

Position the door and make sure it is plumb, level, and square.

- **Primary Attachment:** Using the header flange, attach to racks or supporting infrastructure with 1/4-14 self-drilling screws.
- **Alternate Attachment:** In the event header flange cannot be used, use the screws and two brackets to attach legs to racks and/or supporting infrastructure.

NOTE: Do not drill within 2" of closer bracket.



Alternate attachment method.



P5 Aluminum PolarSlide™ Single Sliding Door

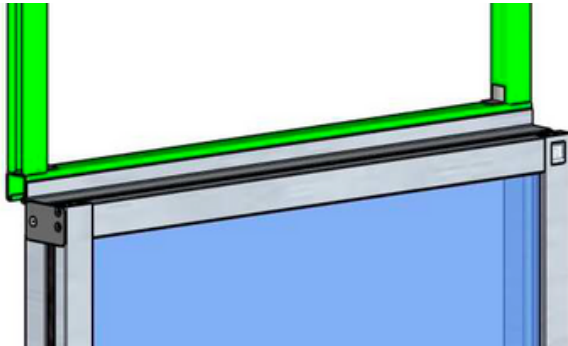
Installation Guide

FILE TYPE
Installation Guide

PRODUCT TYPE
Sliding Door

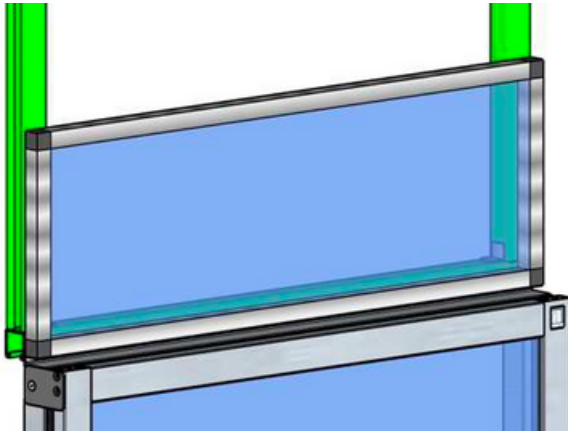
DATE CREATED
2025

Step 2B – Strut Attachment



Sometimes it may be necessary to attach the door via overhead strut if mounting to racks or other supporting infrastructure isn't possible.

- Lower strut until the door's header flange has enough surface area to mount. Attach to strut using provided ¼-14 self-drilling screws.



Similarly, if the door is undersized relative to the racks, an endcap panel may need to be used.

- Mount the door to the strut just as described above.
- Install endcap panel in front of the header flange and attach to the door as well as two vertical strut pieces.



P5 Aluminum PolarSlide™ Single Sliding Door

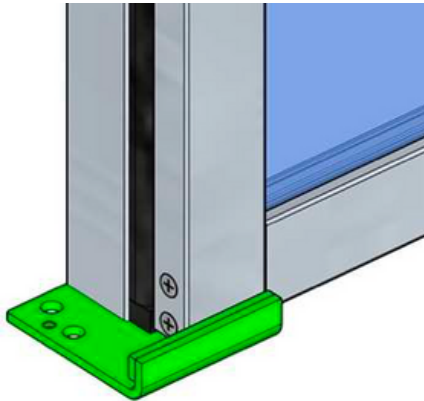
Installation Guide

FILE TYPE
Installation Guide

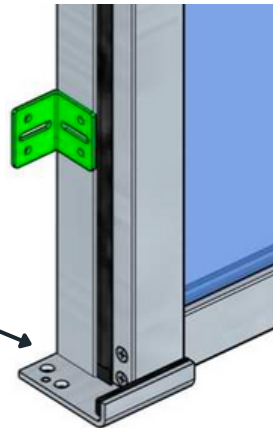
PRODUCT TYPE
Sliding Door

DATE CREATED
2025

Step 3 – Floor Bracket



Primary attachment method.



NOTE: Do not
drill within 2"
of footpad.

Alternate attachment method.

The PolarSlide™ Door has a bottom footpad with mounting holes for easy floor attachment.

- **Measure** door diagonally to ensure the frame is still square before fastening to floor. Make any adjustments needed.
- **Primary Attachment:** Use the ¼-14 self-drilling screws to make floor connection.
- **Alternate Attachment:** Use the ¼-14 self-drilling screws and two brackets to attach legs to the racks and/or supporting infrastructure.



P5 Aluminum PolarSlide™ Single Sliding Door

Installation Guide

FILE TYPE
Installation Guide

PRODUCT TYPE
Sliding Door

DATE CREATED
2025

Step 4 – Final Checklist

The PolarSlide™ Door has now been installed. Run through this final checklist to confirm door is installed and operating correctly.

- **Confirm footpad screws.** Both footpads should have a screw installed in both holes.
- **Remove protective items.** Remove protective film from polycarbonate, shrink wrap from handles, and shipping brace from legs and door panels.
- **No bracket interference.** Test opening door panels to confirm there is no interference with the closer brackets.
- **Test door.** Open panel to hold-open position and release confirming that door opens and fully closes smoothly. Make adjustments to closer piston as needed.